

# NO52

## ASSEMBLY INSTRUCTIONS & DIMESNION

---



---

**LeisureMod**

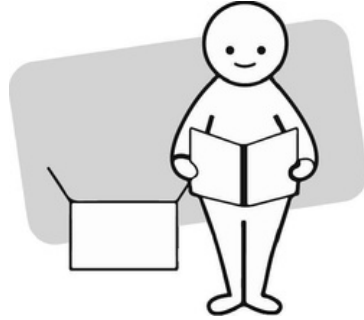
Phone: (201) 429-7715

Email: [Info@LeisureMod.com](mailto:Info@LeisureMod.com)

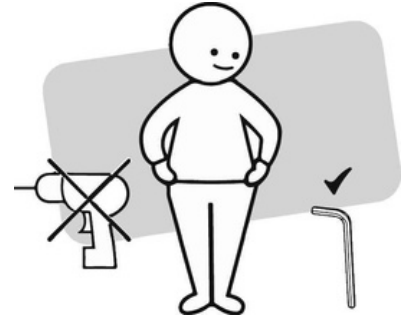


# NO52

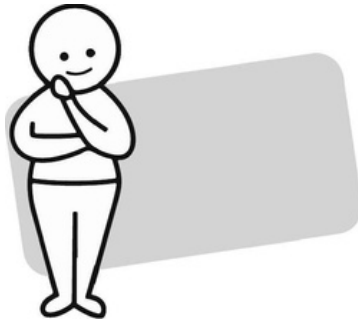
## ASSEMBLY INSTRUCTIONS & DIMENSION



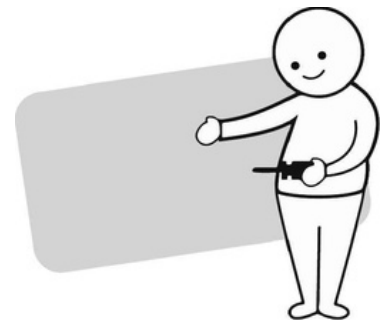
Read through the instructions carefully before you begin.



Make sure you have all the required tools. Never use power tools unless instructed.



Identify and lay out all of the components before assembling.



Unless instructed, do not fully tighten screws until the item is fully assembly.



Retain these instructions for future reference.



Do not discard any of the packaging until you have checked that you have all the parts and the pack of fixings.

**LeisureMod**

Phone: (201) 429-7715

Email: [Info@LeisureMod.com](mailto:Info@LeisureMod.com)



# NO52

## ASSEMBLY INSTRUCTIONS & DIMENSION



WARNING! TO REDUCE THE RISK OF SERIOUS INJURY, READ THE FOLLOWING SAFETY INSTRUCTIONS BEFORE ASSEMBLING AND USING THE PRODUCT.

Please read and understand this entire manual before attempting to assemble, operate, or install the product.

Any assembly or maintenance of the product must be carried out by adults only.

Some parts may contain sharp edges. Wear protective gloves if necessary.

To prevent damage, place all parts on a level surface during assembly. Add a layer of protective surface if needed.

Due to the nature of steel, surface oxidation (rusting) will occur if this protective coating is scratched. This is a natural process. To minimize this condition, it is recommended that care be taken when assembling and handling the product in order to prevent the paint from being scratched.

### TOOLS REQUIRED



2 person

**NOTE:**

To avoid damage, ensure screws are hand tightened.

DO NOT USE POWER TOOLS TO ASSEMBLE YOUR UNIT.

**NOTE:**

Philips head screw driver is required in the assembly process. However, manufacturer does not provide this item. Quantities shown are for one chair.

**LeisureMod**

Phone: (201) 429-7715

Email: [Info@LeisureMod.com](mailto:Info@LeisureMod.com)



# NO52

## ASSEMBLY INSTRUCTIONS & DIMENSION

### ASSEMBLY INSTRUCTIONS

#### ASSEMBLY TIPS:

1. Remove hardware from box and sort by size.
2. Please check to see that all hardware and parts are present prior to start of assembly.
3. Please follow attached instructions in the same sequence as numbered to assure fast & easy assembly.

#### WARNING!

1. Don't attempt to repair or modify parts that are broken or defective. Please contact the seller immediately.
2. This product is for home use only and not intended for commercial establishments.

### PARTS CHECKLIST



AX 5



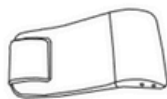
BX 1



CX 1



DX 1



EX 1



FX 1 (L&R)



GX 1



HX 1

LeisureMod

Phone: (201) 429-7715

Email: [Info@LeisureMod.com](mailto:Info@LeisureMod.com)



# NO52

## ASSEMBLY INSTRUCTIONS & DIMENSION

### ASSEMBLY INSTRUCTIONS

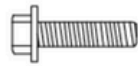
#### ASSEMBLY TIPS:

1. Remove hardware from box and sort by size.
2. Please check to see that all hardware and parts are present prior to start of assembly.
3. Please follow attached instructions in the same sequence as numbered to assure fast & easy assembly.

#### WARNING!

1. Don't attempt to repair or modify parts that are broken or defective. Please contact the seller immediately.
2. This product is for home use only and not intended for commercial establishments.

### HARDWARE IDENTIFICATION



I X 6

M6\*35mm



J X 4

M8\*22mm



K X 4

M6\*25mm



L X 6

Φ6.5\*14\*1mm



M X 1(L&R)



N X 1

LeisureMod

Phone: (201) 429-7715

Email: [Info@LeisureMod.com](mailto:Info@LeisureMod.com)

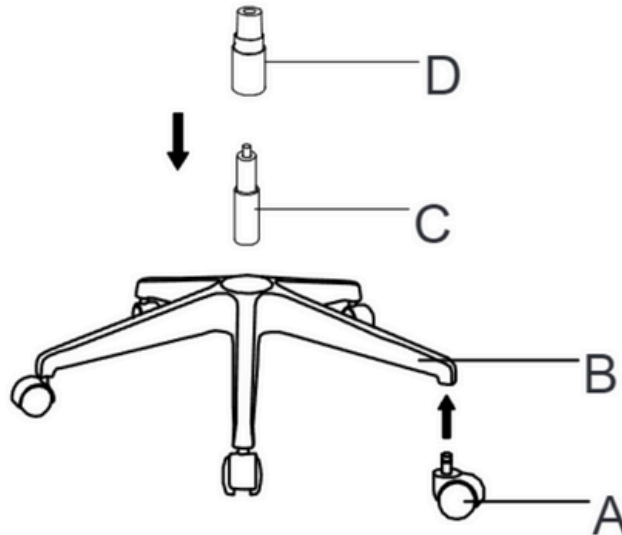


# NO52

## ASSEMBLY INSTRUCTIONS & DIMENSION

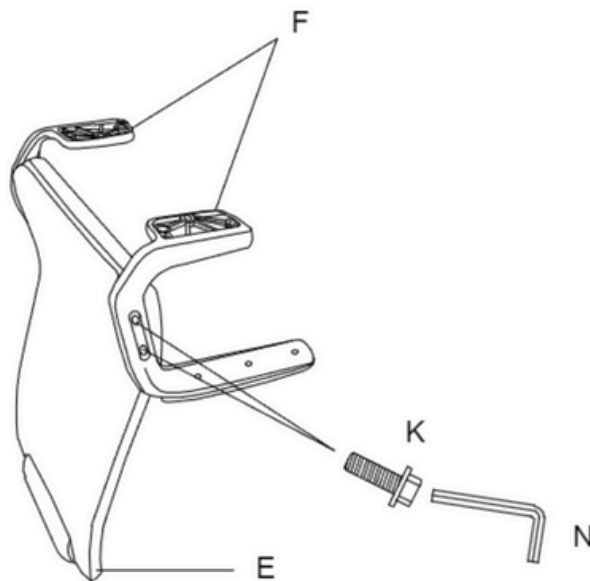
### STEP 1

1. Insert the five castors [A] into the base as shown in the diagram, make sure all castors are firmly inserted.
2. Insert the gas lift [C] into the center of star base [B] as bellow step.
3. Insert the gas lift [C] as shown in the diagram, and place telescopic cover [D] over the gas lift [C].



### STEP 2

1. Attach the armrests [F] to the each side of the back cushion [E] with screws [K] by using allen wrench [N] as shown in the diagram. Do not full tighten the screws until all screws are in place.



LeisureMod

Phone: (201) 429-7715

Email: Info@LeisureMod.com

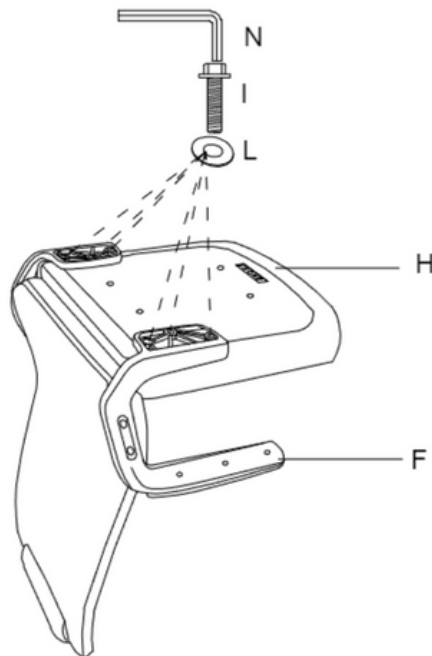


# NO52

## ASSEMBLY INSTRUCTIONS & DIMENSION

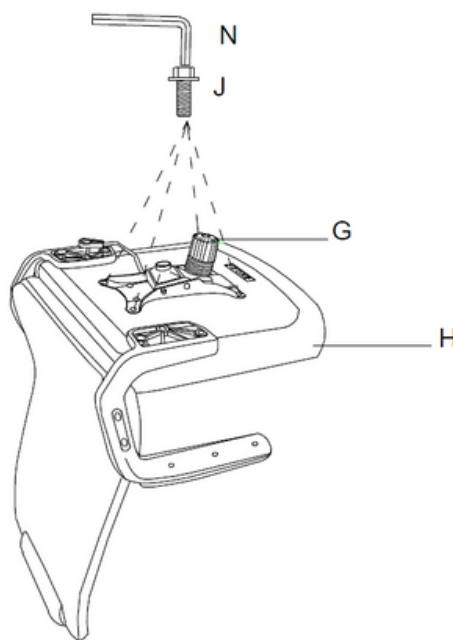
### STEP 3

1. Attach the armrests [F] to the bottom of the seat cushion [H] with screws [I] and washers [L] using allen wrench [N] as shown in the diagram. Do not full tighten the screws until all screws are in place.



### STEP 4

1. Attach the seat plate [G] to the bottom of seat cushion [H] with screws [J] using allen wrench [N] as shown in the diagram. Do not full tighten the screws until all screws are in place.



LeisureMod

Phone: (201) 429-7715

Email: [Info@LeisureMod.com](mailto:Info@LeisureMod.com)

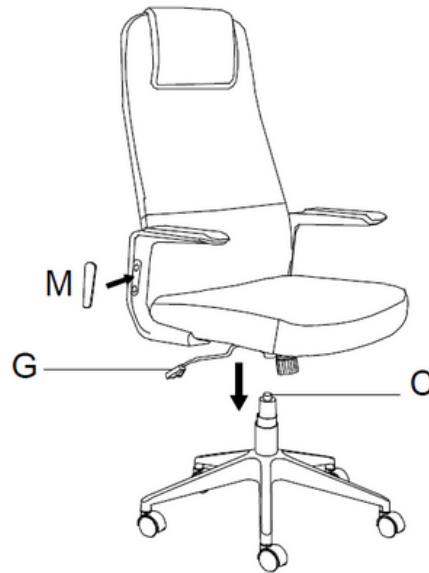


# NO52

## ASSEMBLY INSTRUCTIONS & DIMESNION

### STEP 5

1. Carefully lower the seat plate [G] onto the gas lift [C] as shown in the diagram, then place the cover [M] on each side of the armrest.



### STEP 6

Its Ready !!!



**LeisureMod**

Phone: (201) 429-7715

Email: [Info@LeisureMod.com](mailto:Info@LeisureMod.com)

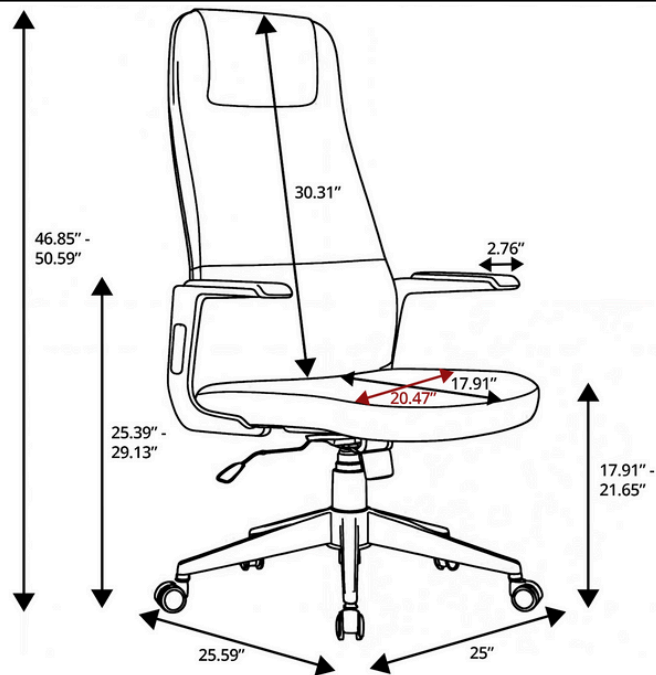




# NO52

## ASSEMBLY INSTRUCTIONS & DIMENSION

Overall Height - Top to Bottom	46.85 in-50.59 in
Overall Width - Side to Side	25 in
Overall Depth - Front to Back	25.59 in
Minimum Overall Height - Top to Bottom	46.85 in
Maximum Overall Height - Top to Bottom	50.59 in
Seat Height - Floor to Seat	17.91 in-21.65 in
Seat Width - Side to Side	20.47 in
Seat Depth - Front to Back	17.91 in
Minimum Seat Height - Floor to Seat	17.91 in
Maximum Seat Height - Floor to Seat	21.65 in
Arm Height - Floor to Arm	25.39 in-29.13 in
Armrest Width - Side to Side	2.76 in
Armrests Min Height - Floor to Armrest	25.39 in
Armrests Max Height - Floor to Armrest	29.13 in
Chair Back Height - Seat to Top of Back	30.31 in



LeisureMod

Phone: (201) 429-7715

Email: Info@LeisureMod.com

