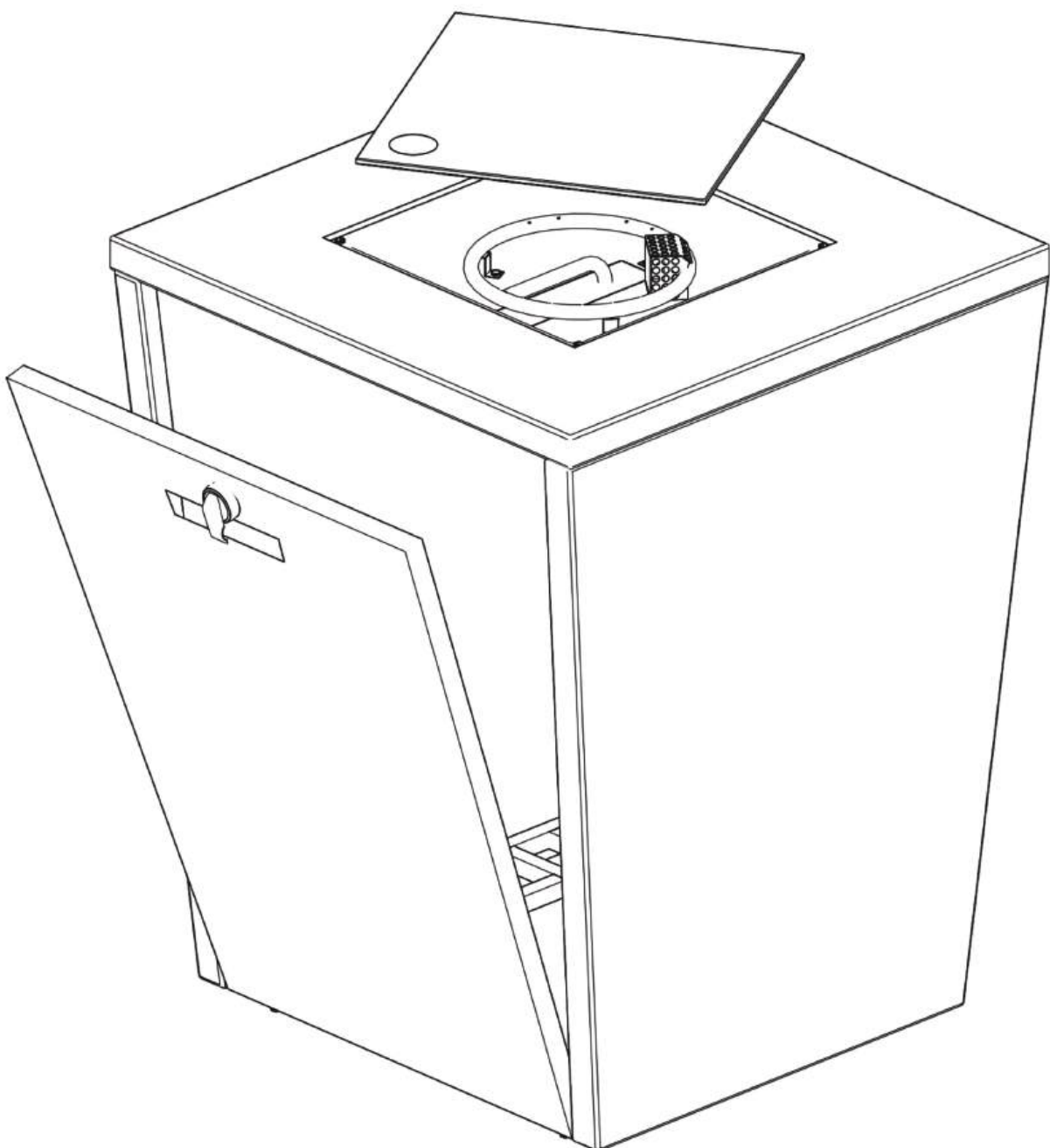




LEISUREMOD

Your own classic™

KD SQUARE FIRE PIT TABLE



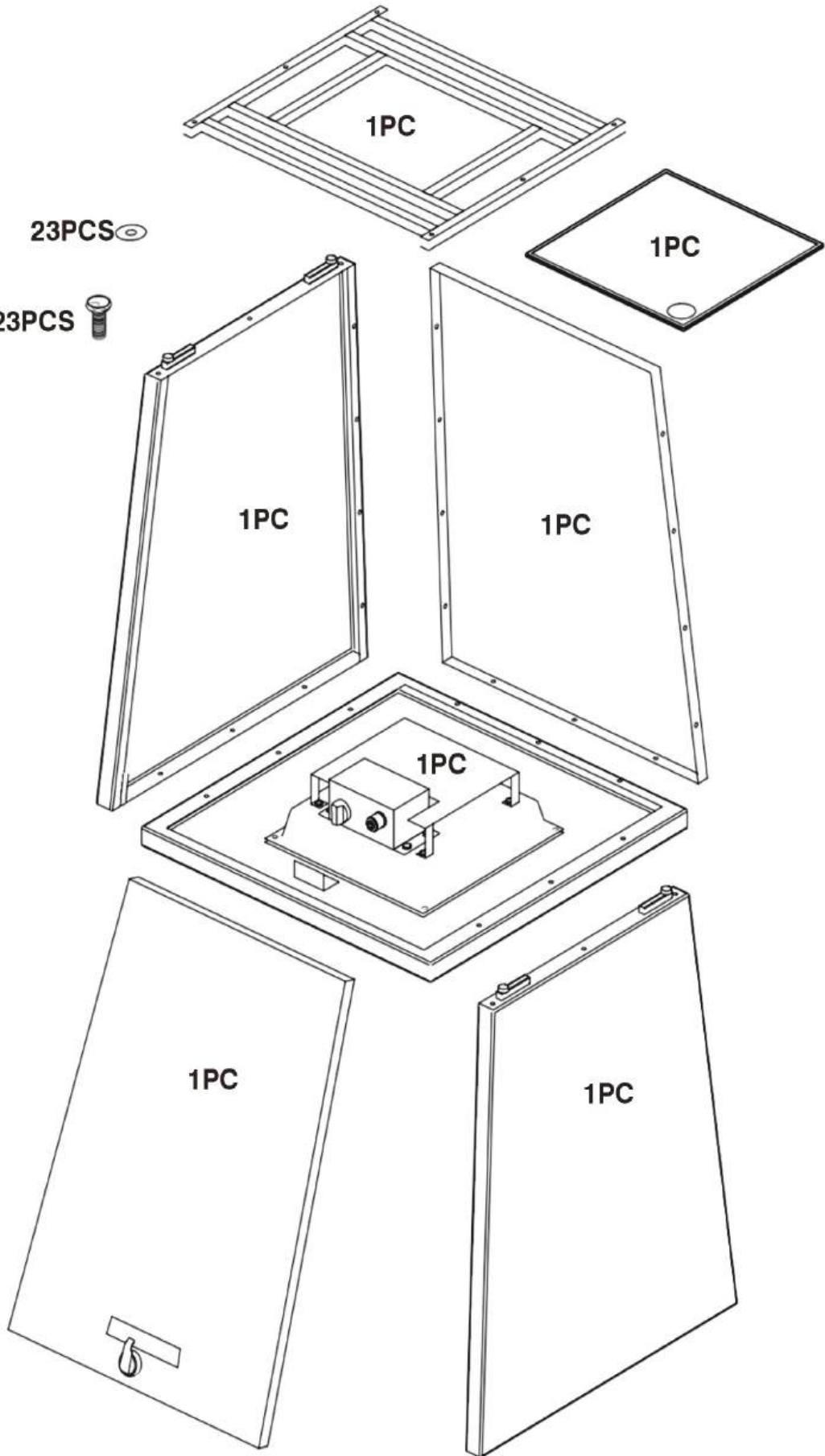
Page 3 to page 11

Installation steps of Firepit Table

Page 3 to page 29

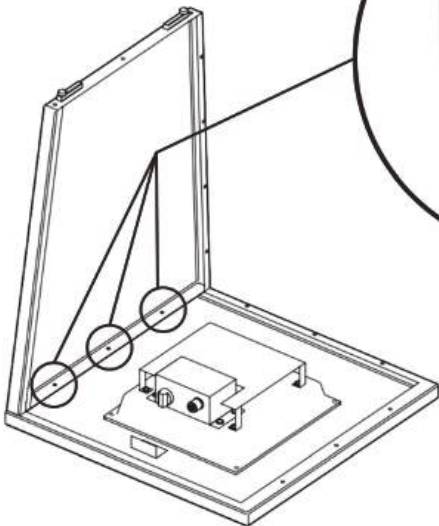
Read Before Using the Firepit Table

List of parts for 1set of Firepit Table

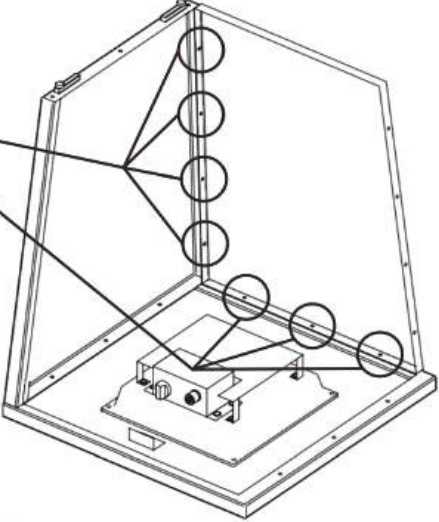


List of parts for 1set of Firepit Table

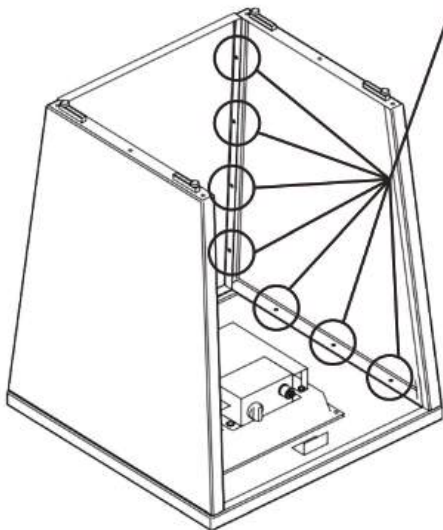
1



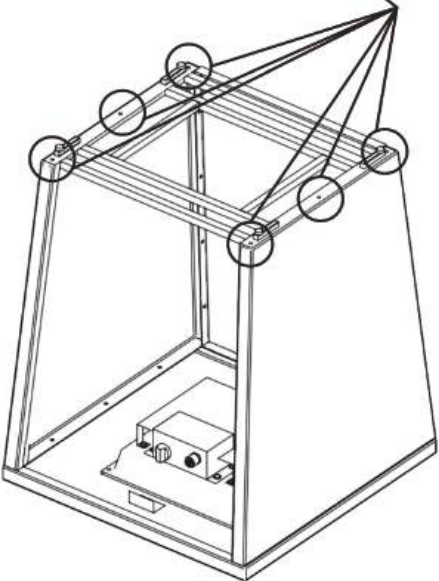
2

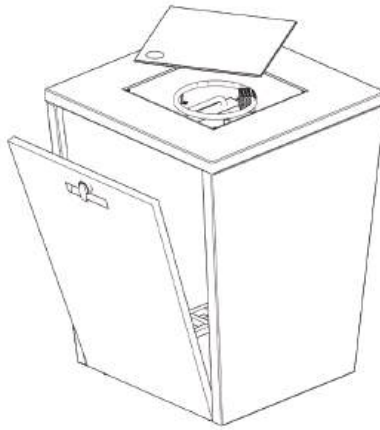


3




4





Model No.:Ulc-FZZ30-F-E series





 **WARNING: For Outdoor Use Only.**

*Conversion kit required

CODE AND SUPPLY REQUIREMENTS:

This outdoor firepit must be installed in accordance with local codes and ordinances, or, in the absence of local codes, with the latest *National Fuel Gas Code, ANSI Z223.1.*

 **DANGER**
If you smell gas:
1. Shut off gas appliance.
2. Extinguish any open flame.
3. If odor continues, keep away from appliance and immediately call your gas supplier or fire department.

 **WARNING**
Do not store or use gasoline, or other flammable vapors and liquids in the vicinity of this or any other appliance.
A LP-cylinder not connected for use shall not be stored in the vicinity of this or any other appliance.

Installation and service must be performed by an NFI Certified or other qualified professional installer, service agency, or the gas supplier.



INSTALLER & CONSUMER
These instructions **MUST** be retained with this appliance for future reference.

“For Outdoor Use Only.
If stored indoors, detach and leave cylinder outdoors.”

Important: Read these instructions carefully before starting installation of the outdoor firepit.

WARNING
Improper installation, adjustment, alteration, service, or maintenance can cause property damage, personal injury, or loss of life. Refer to this manual. For assistance or additional information, consult a qualified professional installer, service agency, or the gas supplier.

IMPORTANT
For safe operation and proper performance of this product and to comply with certification, listings, and building code acceptances, use only our controls, parts, and accessories that have been specifically listed or certified for use with this burner system. Use of other controls, parts, or accessories is prohibited and will void all warranties, certifications, listings, and building code approvals, and may cause property damage, personal injury, and loss of life.

  **DANGER**

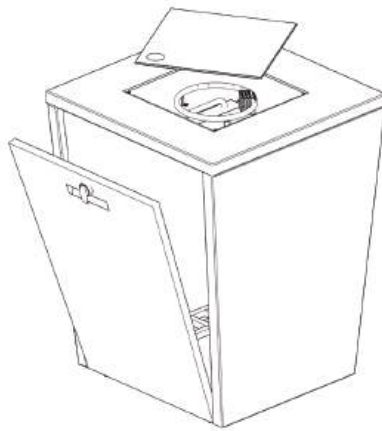
CARBON MONOXIDE HAZARD
This appliance can produce carbon monoxide which has no odor.
Using it in an enclosed space can kill you.
Never use this appliance in an enclosed space such as a camper, tent, car or home.

PARTS LIST

NO. DESCRIPTION

1. Firepit
2. Burner pan assembly (natural or propane)
3. Control knob assembly

Fig. 4-1



Burner ring



Burner pan

Fig. 4-2

Control knob assembly

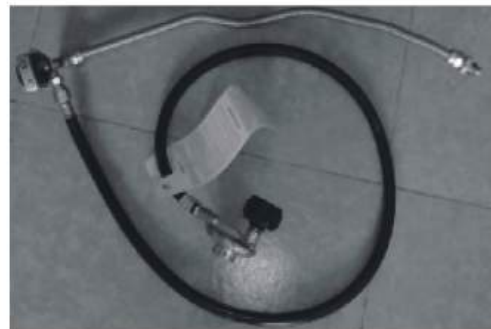


Fig. 4-3

SAFETY INFORMATION

DANGER

EXPLOSION - FIRE HAZARD

Keep solid combustibles, such as building materials, paper or cardboard, a safe distance away from the fire pit as recommended by the instructions.

Provide adequate clearances around air openings into the combustion chamber.

Never use the fire pit in spaces which do or may contain volatile or airborne combustibles, or products such as gasoline, solvents, paint thinner, dust particles or unknown chemicals.

During operation, this product can be a source of ignition. Keep fire pit area clear and free from combustible materials, gasoline, paint thinner, cleaning solvents and other flammable vapors and liquids. Do not use fire pit in areas with high dust content. Minimum fire pit clearances from combustible materials: two (2) feet from the sides & two (2) feet from the rear, 6 feet from ceiling.

DANGER

EXPLOSION - FIRE HAZARD

Never store propane near high heat, open flames, pilot lights, direct sunlight, other ignition sources or where temperatures exceed 120 degrees F (49°C).

Propane vapors are heavier than air and can accumulate in low places. If you smell gas, leave the area immediately.

Never install or remove propane cylinder while fire pit is lighted, near flame, pilot lights, other ignition sources or while fire pit is hot to touch.

This fire pit is red hot during use and can ignite flammables too close to the burner. Keep flammables at least 2 feet from sides & 2 feet from rear, 6 feet from ceiling. Keep gasoline and other flammable liquids and vapors well away from fire pit.

Store the propane cylinder outdoors in a well ventilated space out of reach of children. Never store the propane cylinder in an enclosed area (house, garage, etc.). If fire pit is to be stored indoors, disconnect the propane cylinder for outdoor storage.

WARNING

We cannot foresee every use which may be made of our fire pit.

Check with your local fire safety authority if you have questions about fire pit use.

Other standards govern the use of fuel gases and heat producing products for specific uses. Your local authorities can advise you about these.

If no local codes exist, follow National Fuel Gas Code, ANSI Z223.1. In Canada, installation must conform to local codes. If no local codes exist, follow the current National standards of CANADA CAN/CGA-B 149.2.

DANGER

CARBON MONOXIDE HAZARD

This fire pit is a combustion appliance. All combustion appliances produce carbon monoxide (CO) during the combustion process. This product is designed to produce extremely minute, non-hazardous amounts of CO if used and maintained in accordance with all warnings and instructions. Do not block air flow into or out of the fire pit.

Carbon Monoxide (CO) poisoning produces flu-like symptoms, watery eyes, headaches, dizziness, fatigue and possibly death. You can't see it and you can't smell it. It's an invisible killer. If these symptoms are present during operation of this product get fresh air immediately!

For outdoor use only.

Never use inside house, or other unventilated or enclosed areas.

This fire pit consumes air (oxygen). Do not use in unventilated or enclosed areas to avoid endangering your life.

WARNING

WARNING indicates an imminently hazardous situation which, if not avoided, will result in death or serious injury.

WARNING

Do not store or use gasoline or other flammable vapors and liquids in the vicinity of this or any other appliance. An LP-cylinder not connected for use shall not be stored in the vicinity of this or any other appliance.

WARNING: For Outdoor Use Only

DANGER



CARBON MONOXIDE HAZARD

This appliance can produce carbon monoxide which has no odor. Using it in an enclosed space can kill you. Never use this appliance in an enclosed space such as a camper, tent or home.

WARNING

Improper installation, adjustment, alteration, service or maintenance can cause property damage, injury or death. Read the installation, operation and maintenance instructions thoroughly before installing or servicing this equipment.

SAFETY INFORMATION

WARNING

California Proposition 65
Combustion by-products produced when using this product contain chemicals known to the State of California to cause cancer, birth defects, and other reproductive harm.

WARNING

BURN HAZARD

Never leave fire pit unattended when hot or in use. Keep out of reach of children.

WARNING

Certain materials or items, when stored under the fire pit, will be subjected to radiant heat and could be seriously damaged.

CAUTION

SERVICE SAFETY

Keep all connections and fittings clean. Make sure propane cylinder valve outlet is clean.
During set up, check all connections and fittings for leaks using soapy water. Never use a flame.
Use as a heating appliance only. Never alter in any way or use with any device.

CAUTION

CAUTION indicates an imminently hazardous situation which, if not avoided, may result in minor or moderate personal injury, or property damage.

WARNING

This product is fueled by propane gas. Propane gas is invisible, odorless, and flammable. An odorant is normally added to help detect leaks and can be described as a "rotten egg" smell. The odorant can fade over time so leaking gas is not always detectable by smell alone.

Propane gas is heavier than air and leaking propane will sink to the lowest level possible. It can ignite by ignition sources including matches, lighters, sparks or open flames of any kind many feet away from the original leak. Use only propane gas set up for vapor withdrawal.

Store or use propane gas in compliance with local ordinances and codes or with ANSI/NFPA 58. Turn off propane when not in use.

WARNING

Alert children and adults to the hazards of high surface temperatures. Stay away from these surfaces to avoid burning skin or igniting clothing.

Carefully supervise young children when in the vicinity of the fire pit.

Do not hang clothing or any other flammable materials from the fire pit, or place on or near the fire pit.

Replace any guard or protective device removed for servicing the appliance prior to placing back in service.

Installation and repair should be done by a qualified service person. The fire pit should be inspected before use and annually by a qualified service person. More frequent cleaning may be required as necessary. It is imperative that the control compartment, burners, and circulating air passageway of the appliance be kept clean.

OPERATION CHECKLIST

Operation Checklist

For a safe and pleasurable heating experience, perform this check before each use.

Before Operating:

1. I am familiar with entire owner's manual and understand all precautions noted.
2. All components are properly assembled, intact and operable.
3. No alterations have been made.
4. All gas connections are secure and do not leak.
5. Wind velocity is below 10 mph.
6. Unit will operate at reduced efficiency below 40 °F/4.44 °C
7. Fire pit is outdoors (outside any enclosure).
8. There is adequate fresh air ventilation. Do not use this appliance if any part has been under water. Immediately call a qualified service technician to inspect the appliance and to replace any part of the control system and gas control which has been under water.
9. Fire pit is away from gasoline or other flammable liquids or vapors.
10. Fire pit is away from windows, air intake openings, sprinklers and other water sources.
11. Fire pit is at least 36 in. on rear and at least 36 in. on sides from combustible materials.
12. Fire pit is on a hard and level surface.
13. There are no signs of spider or insect nests.
14. All burner passages are clear.
15. All air circulation passages are clear.
16. *Children and adults should be alerted to the hazards of high surface temperatures and should stay away to avoid burns or clothing ignition.*
17. *Young children should be carefully supervised when they are in the area of the fire pit.*
18. *Clothing or other protective material should not be hung from the fire pit, or placed on or near the fire pit.*
19. *Any guard or other protective device removed for servicing the fire pit must be replaced prior to operating the fire pit.*
20. *Installation and repair should be done by a qualified service person. The fire pit should be inspected before use and at least annually by a qualified service person.*
21. *More frequent cleaning may be required as necessary. It is imperative that control compartment, burner and circulating air passageways of the fire pit be kept clean.*

After Operation

1. Gas control is in OFF position.
2. Gas Tank valve is OFF.
3. Disconnect Gas line.
4. After each use, replace cap on tank

PREPARATION

Before beginning assembly of product, make sure all parts are present. Compare parts with package contents list and hardware contents above. If any part is missing or damaged, do not attempt to assemble the product. Contact customer service for replacement parts.

Estimated Assembly Time: 15 Minutes

Tools Required for Assembly (not included):

Phillips screwdriver w/ medium blade. Leak Detection Solution.

PRE-INSTALLATION AND PREPARATION SAFETY GUIDELINES

- A. Before installing this unit, check the **MINIMUM CLEARANCE TO COMBUSTIBLES** section to ensure that the surrounding area is **properly sized for the installation**.
- B. The unit is for outdoor use only. **DO NOT** install or use this appliance inside a building, garage, or any other enclosed area, including recreational vehicles and/or boats. **This unit must be installed in such a manner that the vent opening at the base of the unit remains clear and free of all obstructions at all times and during all weather conditions.**
- C. **CHECK GAS TYPE** (natural gas or propane): The gas supply you intend to use may not be the same as that stated on the unit rating plate as purchased. If the gas supply is different, **convert the unit to the gas type you intend to use**. See the **CONVERTING TO A DIFFERENT GAS TYPE SECTION**. If you are unsure, contact the dealer for assistance. **ONLY MANUAL UNITS ARE CONVERTIBLE**.
- D. **FOR NATURAL GAS:** The minimum inlet gas-supply pressure for purposes of input adjustment is **3.5"** water column (w.c.), and the maximum inlet gas-supply pressure is **10.5"** w.c. **FOR PROPANE:** The minimum inlet gas-supply pressure for purposes of input adjustment is **8"** w.c., and the maximum inlet gas-supply pressure is **13"** w.c. **DO NOT INSTALL THIS UNIT IF MINIMUM PRESSURE IS NOT AVAILABLE OR IF MAXIMUM PRESSURE IS EXCEEDED.**
- E. Gas piping system must be sized to provide minimum inlet pressure at the maximum flow rate (BTU/hr). Undue pressure loss will occur if the pipe is too small, or the run is too long.
- F. For installations at elevations above 2,000 ft., contact your local dealer or gas supplier before installing. Input ratings should be reduced approximately 4% for each 1,000 ft. above sea level. Refer to the National Fuel Gas Code.
- G. The unit and its individual shutoff valve must be disconnected from the gas-supply piping system during any pressure testing of that system at test pressures in excess of 1/2 psi (3.5 kPa). This is accomplished by closing the gas-supply line valve. The unit must be isolated from the gas-supply piping system by closing its individual manual shutoff valve during any pressure testing of the gas-supply piping system at test pressures equal to or less than 1/2 psi (3.5 kPa).
- H. **INSTALLER NOTE:** This unit should be installed so that it can be removed if service is required.
- I. **GAS-SUPPLY PLUMBING REQUIREMENTS**
Apply only joint compounds that are resistant to all gasses on all male pipe fittings. Make sure to tighten every joint securely. Do not use pipe joint compound to connect flare fittings. Bring the gas-supply pipe up from beneath the enclosure near its center (if applicable).

CAUTION: Installation and maintenance must be done by an NFI Certified or other qualified professional installer. Installer, read these instructions before installing this product. Be sure you understand all safety precautions and warnings contained in this manual.

Note: An external on/off valve in the gas line is required for safety when the unit is not in use. It also provides for convenient maintenance and repair.

CONVERTING TO A DIFFERENT GAS TYPE

To convert propane to natural gas or from natural to propane gas, carefully follow the steps below:

1. **SHUT OFF THE GAS SUPPLY TO THE UNIT AND ANY NEARBY ELECTRICAL SOURCES OR APPLIANCES.**
2. If present, remove all decorative media from the unit.
3. Remove the screws attaching the burner pan to your enclosure.
4. Carefully detach the flex connector attached to the orifice holder (see Fig. 1) and unscrew the orifice holder from the burner pipe (see Fig. 1).
5. Remove the orifice from the holder (see Fig. 2) and replace with the proper-sized one for your gas requirement. Propane gas requires a 2.30mm(drill size) orifice.Natural gas require a 3.78mm orifice.

Note: If you are converting **to and using natural** gas you **MUST** install the air shutter over burner pipe to cover the air holes (see Fig. 4). For **propane** (L.P.) gas, remove the air shutter.

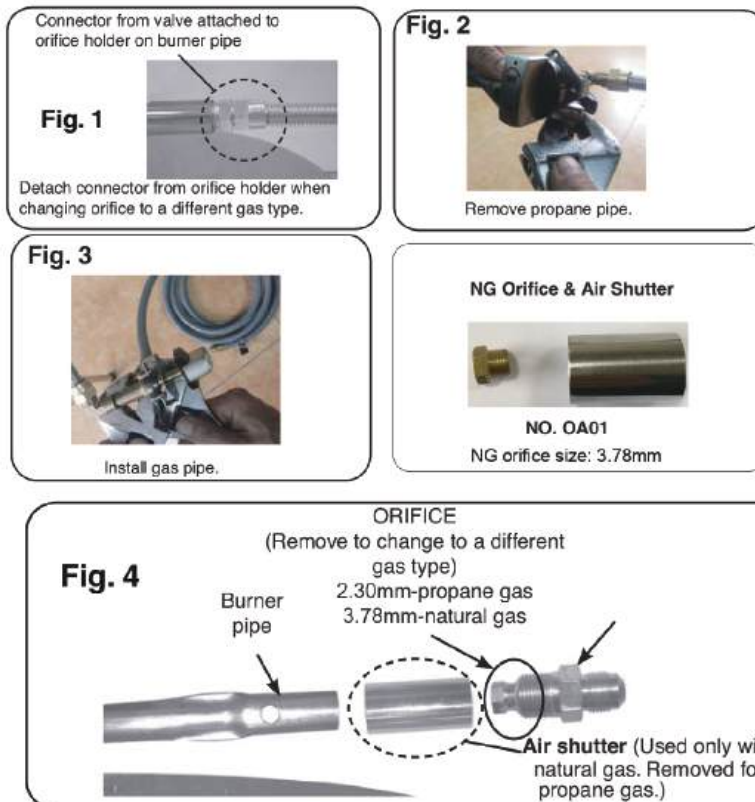
Replace the orifice holder and reattach the connector from the valve (see Fig. 3).

The regulator must now be converted to the new gas type.

6. To convert the regulator from propane gas to natural gas.

The appliance must be isolated from the gas supply piping system by closing , It's individual manual shut off valve during any pressure testing of the gas supply piping system. At test pressure equal to or less than 1/2 psi (3.5 Kpa).

7. Move the propane pipe from regulator and replace with 3/8" natural gas pipe (natural gas pipe package not included).
8. Restore your gas supply and check for leaks per the INSTALLATION section. When no leaks are detected, fasten the burner pan back into place on the enclosure and replace the decorative media.



Note: You should paste sticker lab on fire pit after changing NG system !

INSTALLATION SAFETY GUIDELINES

- A. Installation and repair should be done by a qualified service person. The appliance should be inspected before use and at least annually by a qualified service person. More frequent cleaning may be required as necessary. It is imperative that control compartment, burners and circulating air passageways of the appliance be kept clean.
- B. Carefully inspect for shipping damage. If any parts are damaged, call the dealer.
- C. Correct installation and proper placement of the unit and decorative media is crucial to the safe performance of the unit. See installation instructions for further information.
- D. Ensure that the unit is installed in such a manner that the vent opening at the base of the unit remains obstacle-free at all times and during all weather conditions.
- E. Due to high temperatures, the unit must be located out of traffic areas and away from combustibles.

OPERATING THE UNIT SAFELY AND CORRECTLY

- A. **This appliance is only intended for operation in temperatures above 32°F.**
- B. When shutting the unit down—be sure to TURN THE CONTROL VALVE FULLY OFF.
- C. Children MUST be carefully supervised when they are in the area of this appliance.
- D. DO NOT sit or place any part of the body, clothing, or other flammable materials on or near the unit surround. Children and adults should be alerted to the hazard of high surface temperatures and should stay away to avoid burns or clothing ignition.
- E. Every time you use the unit, make sure that:
 - 1. The area around the unit is clear and free from combustible materials, gasoline and other flammable vapors and liquids.
 - 2. There is no blockage of the airflow through the vent openings located on the bottom of the unit.
 - 3. The hose is inspected (if applicable). See the SAFE USE & MAINTENANCE OF PROPANE-GAS CYLINDERS section.
- F. **WARNING: HOT WHILE IN OPERATION AND FOLLOWING OPERATION.** Serious injury can occur! **DO NOT** throw trash, paper, or other flammable materials onto the unit. **DO NOT** leave in operation when unattended.
WARNING: DO NOT operate this unit in the rain.
- G. SOLID FUEL MUST NOT BE BURNED in the unit.
- H. **DO NOT** continue using if you smell unusual odors, or have headaches, nausea, or dizziness.
- I. **DO NOT** store any combustible materials, gasoline, and any other flammable vapors/liquids in the vicinity of the unit. Provide adequate clearance for servicing and operation.
- J. Matches, paper, garbage, or any other material must not be thrown onto the unit or into the flame.
- K. **DO NOT** use the unit if any part of it has been underwater. Immediately call a qualified professional service technician to inspect the set and to replace any part of the control system that has been underwater.
- L. Remove Battery prior to prolonged period of non-use.
- M. Clean burner pipe termly and ensure burner pipe isn't blocked.

SAFE USE & MAINTENANCE OF PROPANE GAS CYLINDERS

IMPORTANT FOR YOUR SAFETY

READ AND FOLLOW ALL WARNINGS PROVIDED WITH THE PROPANE-GAS CYLINDER.

When operating this appliance with a propane-gas cylinder, these instructions and warnings **MUST** be observed.

FAILURE TO DO SO MAY RESULT IN A SERIOUS FIRE OR EXPLOSION.

CYLINDER/CONNECTOR REQUIREMENTS

- Propane-gas cylinders, valves, and hoses must be maintained in good condition and must be replaced if there is visible damage to either the cylinder or valve. If the hose is cut or shows excessive abrasion or wear, it must be replaced before using the gas appliance (see e.).
- This unit, when used with a cylinder, should be connected to a standard 5-gallon (20 lb.) propane-gas cylinder equipped with an OPD (Overfill Prevention Device). The OPD has been required on all cylinders sold since October 1, 1998, to prevent overfilling.
- Cylinder dimensions should be approximately 12" (30.5 cm) in diameter and 18" (45.7 cm) high. Cylinders must be constructed and marked in accordance with the *Specifications for Propane Gas Cylinders of the U.S.* Department of Transportation (D.O.T.) or the National Standard of Canada, CAN/CSA-B339, Cylinders, Spheres, and Tubes for Transportation of Dangerous Goods.
- The cylinder used must include a collar to protect the cylinder valve, and the cylinder supply system must be arranged for vapor withdrawal.
- The pressure regulator and hose assembly (Fig. 7-1) supplied with this outdoor gas appliance must be used. Original and replacement pressure regulator and hose assemblies must be those specified by the manufacturer for connection with a cylinder connecting device identified as Type I by the ANSI Z21.58-2005/CGA 1.6-2005 (see PARTS LIST for ordering information).
- The propane-gas cylinder valve must be equipped with a cylinder connection coupling device, described as Type I in the standard defined in paragraph e. above. This device is commonly described as an Acme thread quick coupler.
- If the propane-gas cylinder comes with a dust plug, place the dust cap on the cylinder valve outlet whenever the cylinder is not in use.

QUICK COUPLER OPERATION

To connect the regulator/hose assembly to the propane-gas cylinder valve fitting: Press the hand nut on the regulator over the Acme thread fitting on the cylinder valve. Turn the hand nut clockwise to engage the threads and tighten until snug.

The use of pliers or a wrench should not be necessary. Only cylinders marked "propane" may be used.

To disconnect: Turn the hand nut counterclockwise until detached (Fig. 7-1).

Important: Before using the unit, and after each time the cylinder is removed and reattached, check the hose for wear (see a.) and check all connections for leaks. Turn off the unit valves and open the main cylinder valve, then check connections with soapy water. Repair any leaks before lighting the unit.

CAUTION: Always turn the propane cylinder main valve off after each use, and before moving the unit and cylinder or disconnecting the coupling. This valve must remain closed and the cylinder disconnected while the appliance is not in use, even though the gas flow is stopped by a safety feature when the coupler is disconnected.

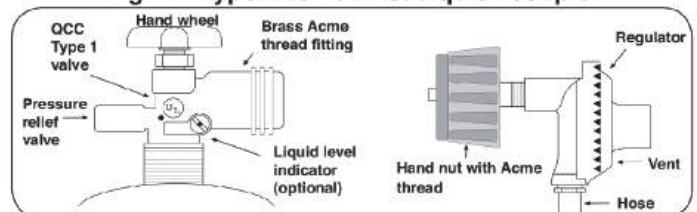
Carefully inspect the hose assembly each time before the gas is turned on. A cracked or frayed hose should be replaced immediately.

If the appliance is stored indoors, the cylinder must be disconnected and removed. Disconnected cylinders must be stored outdoors, out of the reach of children, with threaded valve plugs tightly installed, and must not be stored in a building, garage, or any other enclosed area.

FOR YOUR SAFETY

- DO NOT store a spare propane-gas cylinder under or near this appliance.
- NEVER fill the cylinder beyond 80-percent full.
- IF THE INFORMATION IN a. AND b. IS NOT FOLLOWED EXACTLY, A FIRE CAUSING DEATH OR SERIOUS INJURY MAY OCCUR.

Fig. 7-1 Type I Acme thread quick coupler



IMPORTANT SAFETY INFORMATION

BE CAREFUL

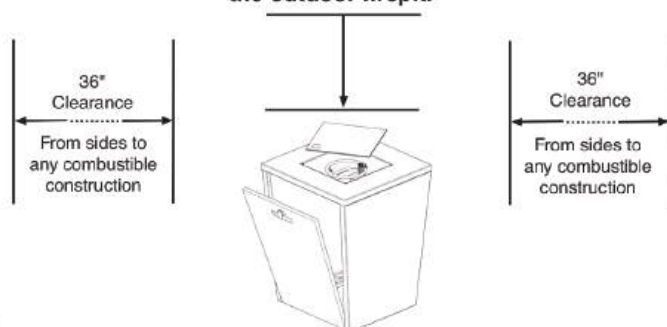
If not installed and used correctly per these instructions, this product can cause serious injury.

- CAUTION:** Installation and maintenance must be done by an NFI Certified or other qualified professional installer. Read these instructions before installing this outdoor firepit. Be sure you understand all safety precautions and warnings contained in this manual.
- A. FOR OUTDOOR USE ONLY. THIS UNIT MUST BE INSTALLED AT LEAST 36" FROM ANY COMBUSTIBLE WALLS OR MATERIAL. IT MUST NOT BE INSTALLED UNDER ANY TYPE OF CEILING OR OVERHANG (SEE FIG. 9-1).**
 - B.** When shutting the unit down—be sure to **TURN THE CONTROL VALVE FULLY OFF.**
 - C. WARNING: CARBON MONOXIDE POISONING MAY LEAD TO DEATH. DO NOT MODIFY THIS OUTDOOR FIREPIT OR ITS CONTROLS, EXCEPT AS PROVIDED FOR IN THIS MANUAL.** Any other change may be dangerous. Improper installation or use of the outdoor firepit can cause serious injury or death from fire, burns, explosions, or carbon monoxide poisoning.
 - D.** Check state and local codes to determine if the outdoor firepit is permitted in your locality before installation.

MINIMUM CLEARANCE TO COMBUSTIBLES

Fig. 9-1

Note: Nothing should be above the outdoor firepit.



Clearances to Combustible Construction:

Side walls: 36" from edge of top ring (Fig. 9-1).

Ceiling: **Nothing should be above the outdoor firepit.**

Flooring: 0" - Can be installed on deck, slab, floor, etc.

The dimensions shown in Fig. 9-1 are **MINIMUM CLEARANCES** to maintain when you install this outdoor firepit. **ALL SIDES** of the enclosure opening **MUST BE AT LEAST 36"** from any combustible side walls. The unit **MUST NOT BE** installed under any type of ceiling or overhang.

INSTALLATION

Important: Be sure you have read and understand all safety precautions and warnings contained in this manual.

BEFORE PROCEEDING, CAREFULLY READ ALL OF THE IMPORTANT SAFETY INFORMATION CONTAINED IN THIS OWNER'S MANUAL, INCLUDING:

- A.** PRE-INSTALLATION AND PREPARATION SAFETY GUIDELINES.
- B.** INSTALLATION SAFETY GUIDELINES.
- C.** MINIMUM CLEARANCE TO COMBUSTIBLES.

BE SURE THE GAS SUPPLY FOR THE UNIT IS TURNED OFF.

Note: When installing the unit to natural gas or household propane, you must have a gas-supply line that has been installed by a qualified professional technician in accordance with all local codes. **Refer to the PARTS LIST when installing the unit.**

INSTALLATION (Cont.)

LOCATION

While following all requirements and safety information in this manual; locate the unit on a flat, level surface.

CONNECT TO A PROPANE CYLINDER GAS SUPPLY

Important: Before installation, be sure the propane cylinder is turned off.

Install the regulator hose assembly to the unit using a gas pipe sealing compound or Teflon Tape. Then attach the regulator end to the propane cylinder and tighten (see Fig. 10-1). Follow all instructions and safety warnings supplied with the propane cylinder.

Place the cylinder in the tank seat, and rotate the screw clockwise to a fully stop. (see Fig. 10-2).

CONNECT TO A NATURAL OR HOUSEHOLD PROPANE GAS SUPPLY

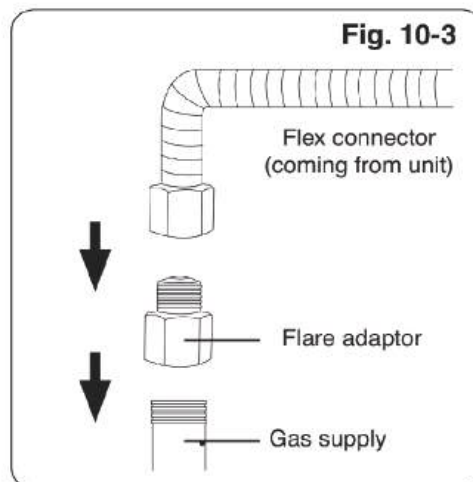
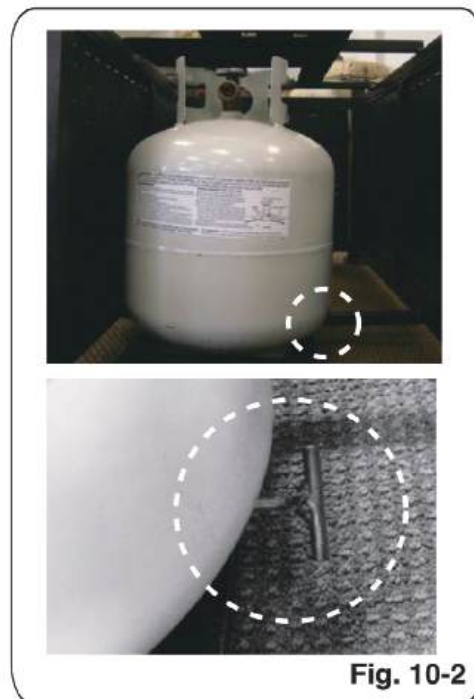
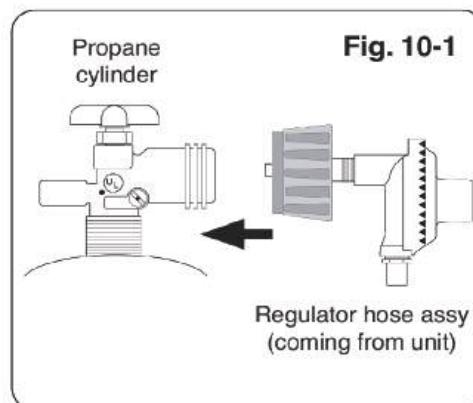
1. Connect a flex connector to the unit using a gas pipe sealing compound or Teflon Tape (see Fig. 10-3).
2. Bring the gas-supply pipe up from beneath the unit near its center.

Note: Locate the gas supply line out of pathways where people may trip over it or in areas where the line may be subject to accidental damage.

3. Install a flare adaptor to the gas supply (NPT) using a gas pipe sealing compound or Teflon tape (see Fig. 10-3).
4. Connect the flex connector to the flare adaptor (see Fig. 10-3).

LEAK TEST

Turn on the gas supply, ignite the burner, and test at all connections for leaks using a soapy water solution. If bubbles appear, a leak is present. Turn off the gas and tighten at all connections. Repeat until no leaks are present. If a leak persists, turn off the gas supply and contact the local gas company or dealer. **NEVER USE A FLAME TO CHECK FOR LEAKS.**



*The gas hose connector shall have a connector that complies with the Standard for Gas Hose Connectors for Portable Outdoor Gas-Fired Appliances,

ASSEMBLY INSTRUCTIONS

▲ **READ BEFORE USE!**



▲ **WARNING**

USE LIQUID PROPANE GAS ONLY!

-Do not store or use gasoline or other flammable vapors and liquids in the vicinity of this or any other appliance.
- Installation and service must be performed by a qualified installer, service agency or the gas supplier.

- WHAT TO DO IF YOU SMELL GAS:

- Shut off gas to the appliance.
- Do not touch any electrical switches or use any electrical appliances ; do not use any fixed-line telephones or cell phones .
- Do not try to light any appliance.
- If odor continues, immediately call the FIRE DEPARTMENT and/or your gas supplier once you get out of the house.
- Follow the gas supplier's instructions.

▲ **WARNING**

**For Outdoor Use Only!
Use Liquid Propane Gas (LP-Gas)**

▲ Propane cylinders sold separately

▲ **WARNING**

Improper installation, adjustment, alteration, service or maintenance can cause injury or property damage. Read the assembly instructions thoroughly before installing or servicing this equipment. If the information in this manual is not followed exactly, a fire or explosion may result causing property damage, personal injury or loss of life.

▲ **WARNING**

Turn off gas supply when the fire pit is not in use.

▲ **WARNING**

Battery may contain mercury. Do not deposit in fire or put in trash. Recycle manage as hazardous waste.

If the fire pit is stored indoors, deatch and leave LP-Gas cylinder outdoors.

▲ **WARNING**

This fire pit must be attended at all times!

▲ DANGER

Failure to follow the Dangers, Warnings and Cautions contained in this Owner's Manual may result in serious bodily injury or death, or in a fire or an explosion causing damage to property.

▲ WARNING

***Do not use this fire pit for cooking.**

- *Do not burn any other materials than are supplied with and intended for use in this fire pit.
- *Do not pour water into fire pit.
- *The installation of this product must conform with local codes.
- *Do not use this fire pit if any part has been under water.
- *Do not store a spare or disconnected liquid propane cylinder under or near this fire pit.
- *After a period of storage, and/or non use, the propane fire pit should be checked for gas leaks and burner obstructions before use.
- *Do not operate the propane fire pit if there is a gas leak present.
- *Never use a flame to check for gas leaks.
- *Combustible materials should never be within 10 feet of the top, back or sides of your propane fire pit.
- *Do not put any other fire pit cover or anything flammable on, or beneath the fire pit.
- *The propane fire pit should never be used by children. Children must be supervised when they are anywhere near the appliance.
- *Users should be alerted to the hazards of high surface temperatures and keep a safe distance to avoid burning or clothing ignition.
- *Pay attention when operating the fire pit. It is hot in use and should never be left unattended. Do not transit it while in operation.
- *Should fire go out while burning, turn the gas valve off. Follow the instruction and wait five minutes before attempting to relight.
- *Never use charcoal or any other solid fuel in the fire pit. Never parch clothing or other flammable materials on or near the fire pit.
- *Never lean over the open fire pit or place hands or fingers on the upper portion of an operational unit.
- *Keep ventilation openings in cylinder enclosure(FIRE PIT BODY) free and clear of debris.
- *Do not rest feet on the fire pit.
- *Please take out the battery when not using the fire pit for an extended length of time.
- *Do not enlarge valve orifices or burner ports when cleaning the valve or burner.
- *Cylinder supply system must be arranged for vapor withdrawal
- *LP Tank used must include a collar to protect the cylinder valve
- *Never fill the cylinder beyond 80% full
- *Liquid propane gas is not natural gas. Only use propane for this fire pit.
- *The conversion or attempted use of natural gas in a liquid propane unit or liquid propane gas in a natural gas unit is dangerous.
- *Do not use this fire pit on vehicles or boats. Always operate the appliance on flat ground outdoors.
- *Keep any electrical supply cord and the fuel supply hose away from any heated surfaces.
- *Do not use this fire pit unless all parts are in place.

FOR LIQUID PROPANE GAS UNITS

- *Do not attempt to disconnect the gas regulator or any gas fitting while your fire pit is in operation.
- *A dented or rusty liquid propane cylinder may be hazardous and should be checked by your gas supplier prior to use.
- *Do not use a liquid propane cylinder with a damaged valve and any other worn out parts.
- *Transit and store the empty gas cylinders carefully and properly.
- *If you see, smell or hear the hiss of escaping gas from the liquid propane cylinder:
 1. Turn off the gas supply and get away from the gas cylinder and the fire pit at once.
 2. Do not attempt to correct the problem yourself.
 3. Get to your gas supplier and/or the fire department for help.

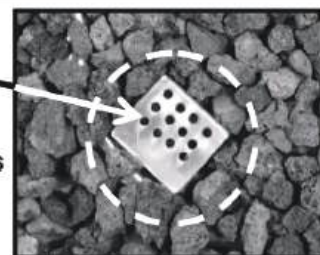


WARNING



This screen must be clear and free of obstructions at all times to insure proper operation.

Screen



DO NOT PLACE LAVA ROCKS ON THE SCREEN. KEEP SCREEN CLEAR.

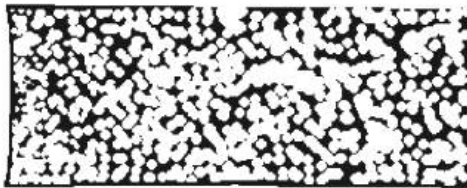
LAVA GRANULE & GLASS CRYSTAL INSTALLATION GUIDELINES

- A. Carefully inspect the carton for shipping damage. If any parts are missing or damaged, call your dealer. **Do not attempt** to install the appliance unless all parts are in good condition.
- B. Correct installation is crucial to safe performance of your Outdoor Fire Pit.
- C. Due to high temperatures, the Fire Pit must be located out of traffic areas and away from combustibles.

PARTS LIST

Replacement parts available from your local retailer

#1



Bag of Lava Rock or Glass Crystals weight: 22 lbs

LAVA GRANULE & GLASS CRYSTAL PLACEMENT

CAUTION – Cuts may occur from the sharp edges on glass. Use safety gloves during the placement of glass.

Pour the bag of lava granules or glass crystals into the Outdoor Fire Pit so that the burner is completely covered. (See figures #1 and #2). These instructions apply to both round and rectangular burners.



Figure #1

Top View

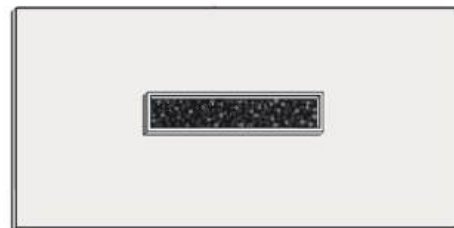


Figure #2

CAUTION: BURN HAZARD. LAVA GRANULES AND GLASS CRYSTALS WILL REMAIN HOT FOR SOME TIME AFTER USE. YOU MUST MAINTAIN THE LAYOUT AS SHOWN TO ENSURE PROPER OPERATION OF YOUR FIRE PIT. IF YOU NEED TO REPOSITION ANY MATERIAL TO MAINTAIN THE PROPER LAYOUT, USE HEAT RESISTANT GLOVES OR ALLOW MATERIAL ADEQUATE TIME TO COOL BEFORE HANDLING.

OPERATING THE UNIT - LIGHTING AND EXTINGUISHING

FOR YOUR SAFETY, READ BEFORE LIGHTING

WARNING: IF YOU DO NOT FOLLOW THESE INSTRUCTIONS EXACTLY, A FIRE OR EXPLOSION MAY RESULT, CAUSING PROPERTY DAMAGE, PERSONAL INJURY, OR LOSS OF LIFE.

- A. BEFORE LIGHTING**, smell all around the unit area for gas. Be sure to smell next to the floor, because some gas is heavier than air and will settle on the floor.
- B. WHAT TO DO IF YOU SMELL GAS**
1. **Shut off the gas to the appliance.**
 2. **Extinguish any open flame.**
 3. **If odor continues, immediately call your gas supplier or the fire department.**
- C. Use only your hand to push in or turn the gas control knob. Never use tools. If the knob will not push in or turn by hand, **DO NOT** try to repair it. Call a qualified professional service technician. Force or attempted repair may result in fire or explosion.**

MANUAL (MATCH) LIGHTING INSTRUCTIONS

1. **STOP!** Read the safety information above.
2. **Push and slowly turn the control knob to the HIGH position . (See P1)**
3. **Hold ignitor to light the burner , release control knob after 45 seconds. (See P1)**
4. **Observe the flame height when lit. Flame should be 3 to 13 inches high .**
5. **If the burner does not light before the match goes out, immediately turn the control knob to the OFF position.**
6. **Wait approximately five minutes to clear out any gas, and repeat steps 1-4 above.**
7. **If your burner fails to light again, turn the control knob to the OFF position and contact your dealer or gas supplier.**
8. **To extinguish your gas burner, turn the control knob to the OFF position. Be sure the control knob is turned fully off to avoid any gas leakage.**



OPERATION

Each installation site for any unit presents its own unique combustion environment. Specific factors such as weather, wind currents, yard debris, altitude, drafts, the size of the surrounding area, all have an influence on the proper operation of the unit. A normally operating unit will demonstrate the following characteristics:

- a) A lively, realistic yellow flame,
- b) Odor-free.
 - If the flame is not clean (identifiable by excessive sooting on the decorative media), refer to the CLEANING AND MAINTENANCE section below.

CLEANING & MAINTENANCE

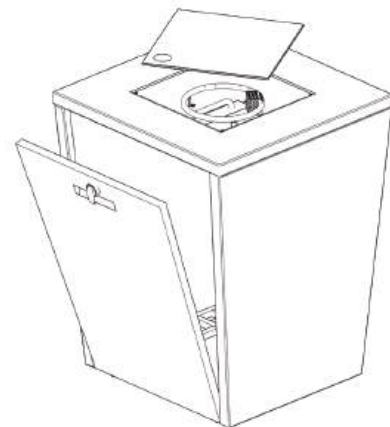
- A. Always shut off the gas to the unit while performing service work.
- B. Allow the unit to cool before servicing.
- C. The unit should be inspected regularly. Excessive debris can build up on this unit from leaves, dirt, or other debris. It is critical that all control components, burners, and the surrounding area be kept clean and free of all obstructions.

Keep the surrounding area at the base of the unit clean and free of obstructions at all times.

- D. The burner assembly must be replaced prior to the unit being put into operation if it is evident that the burner is damaged. Contact your local dealer for replacement parts.
- E. Periodically perform visual checks of the burner flames. The burner flames should be blue at the base with a combination of blue/yellow at the body and tips. Contact a qualified service person for maintenance.

CAUTION

HOT DURING OPERATION AND AFTER USE. Children must be supervised when in the vicinity of this appliance. Serious injury may occur! Children must be alerted to the hazard of high surface temperatures and should stay away to avoid burns or clothing ignition.



Keep entire area (around bottom)
clear for proper venting

Fig. 17-1

PLEASE INSERT BATTERY BEFORE USE

STEP 1

Twist the Cap



STEP 2

Take off the Cap



STEP 3

Insert AAA Battery , make sure the positive electrode of the battery is face to you .



STEP 4

Tighten the Cap

