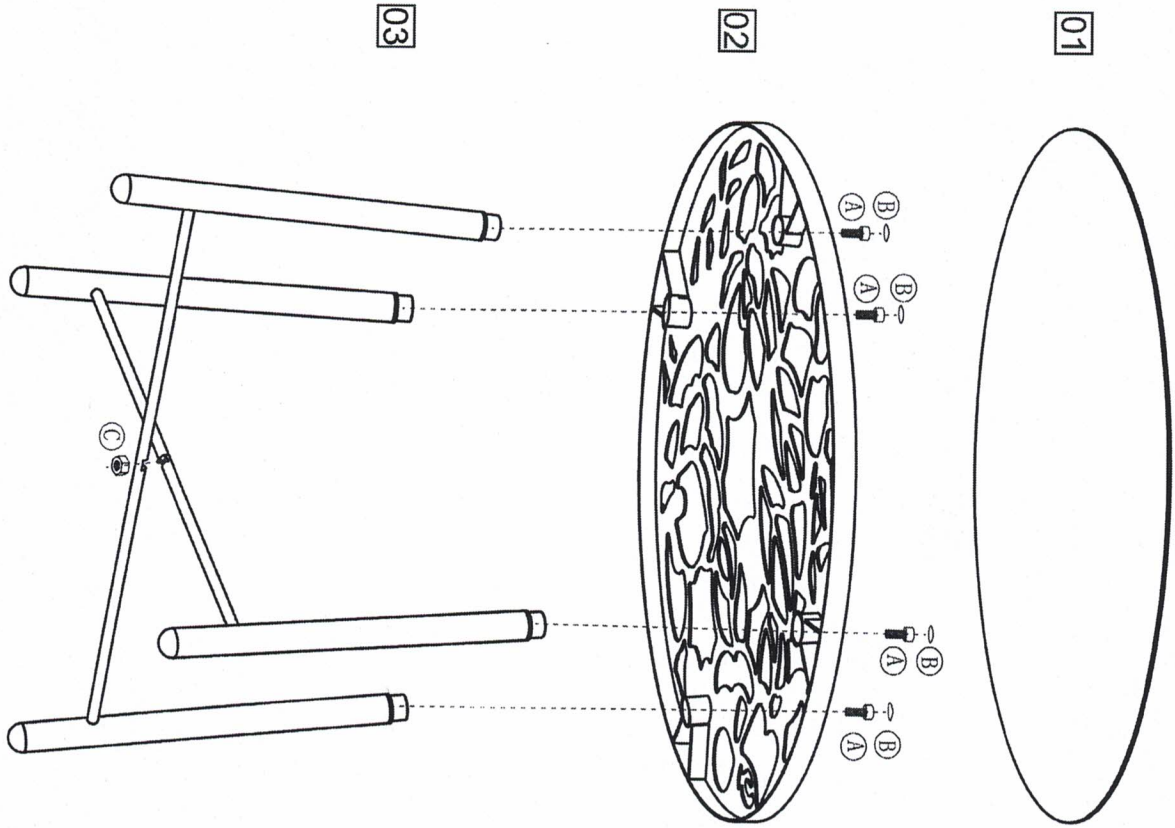


COMPONENT PARTS

FITTINGS



(A)		*4
(B)		*4
(C)		*1

COMPONENT CHECKLIST

PART	No. Qty.	
Tabletop	01	1
Iron frame	02	1
Leg	03	2

TOOLS REQUIRED

- Allen key (supplied)
- Spanner (supplied)