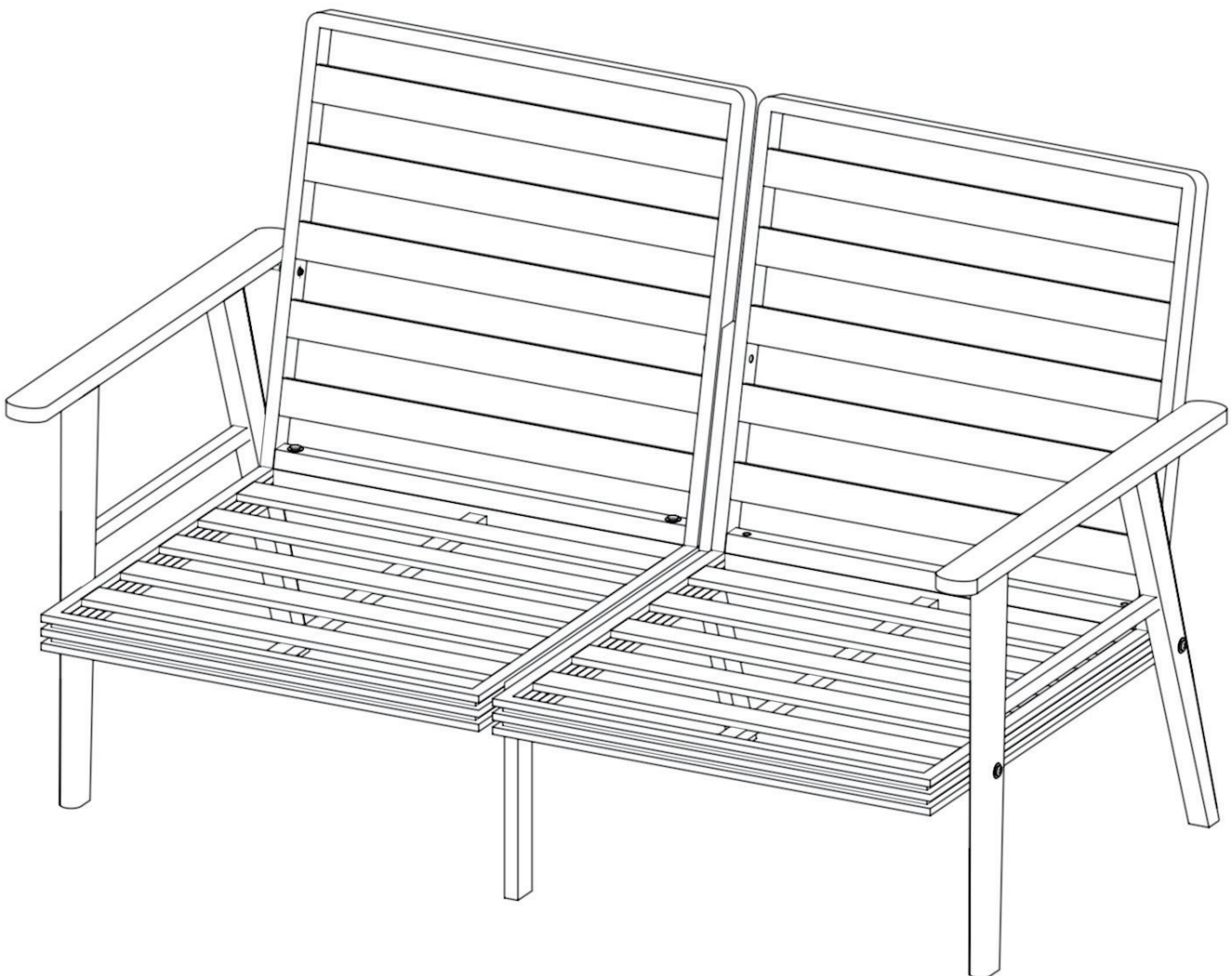




LEISUREMOD

Your own classic™

Double Chair Assembly Guide





READ BEFORE INSTALLATION

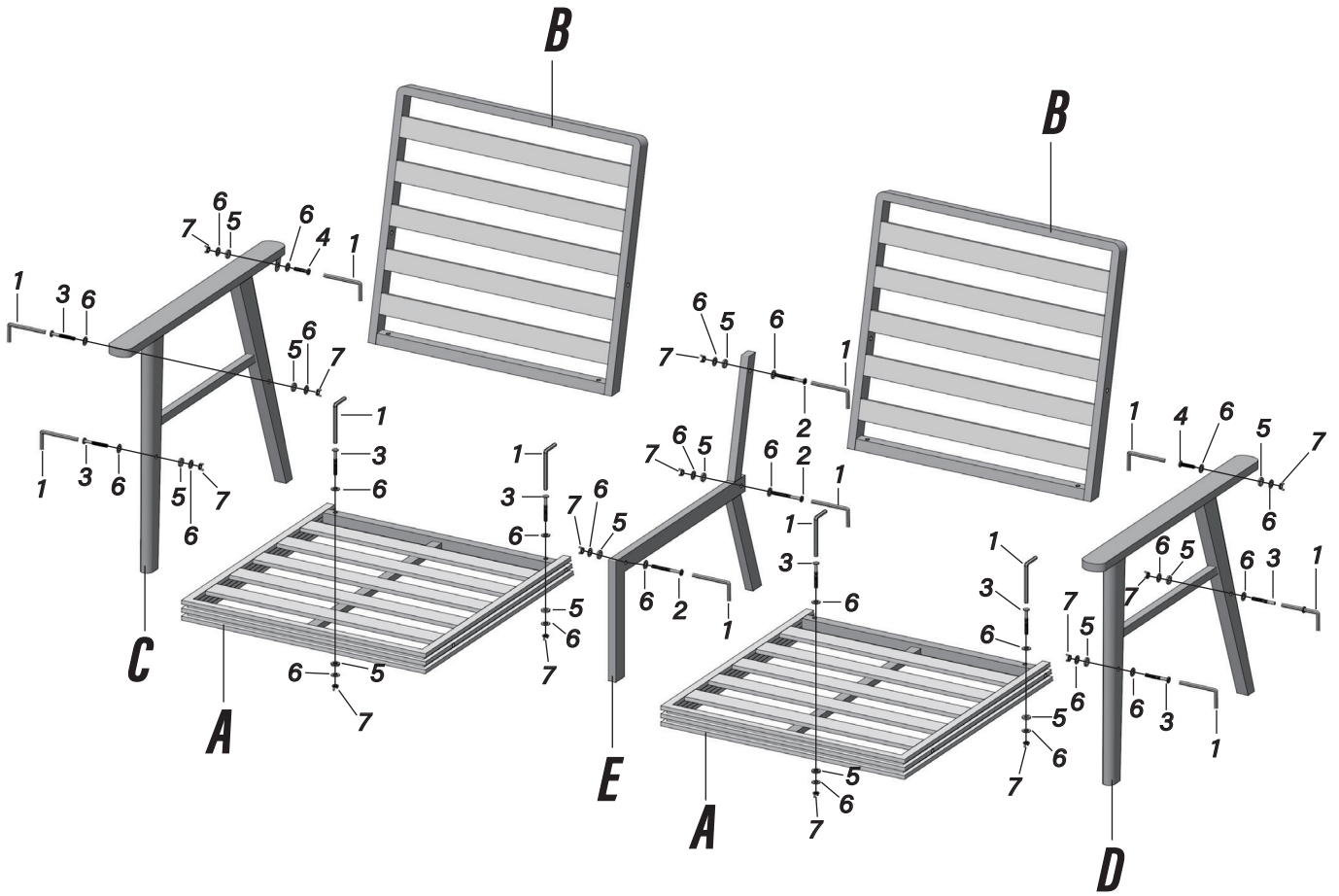
1.Placing the table top on a soft and smooth surface is desperately needed during the installation such as rug or carpet.

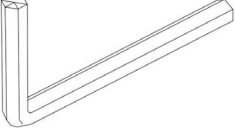


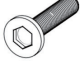



2.Please use the low speed when you are using an electric power tool.

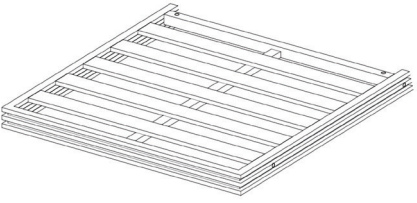
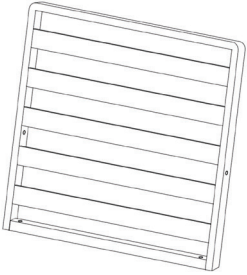
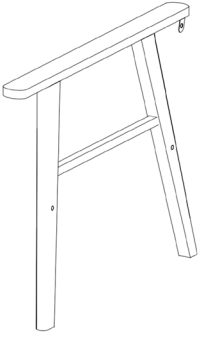
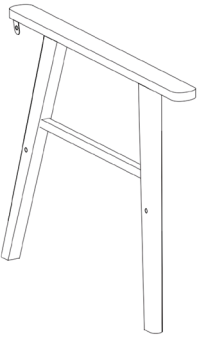
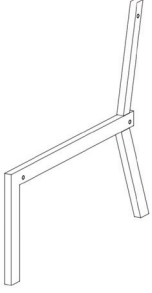
3.2 Person are needed for the assembly progress.

4. You can scan the QR code below with your phone to watch a more detailed assembly video.

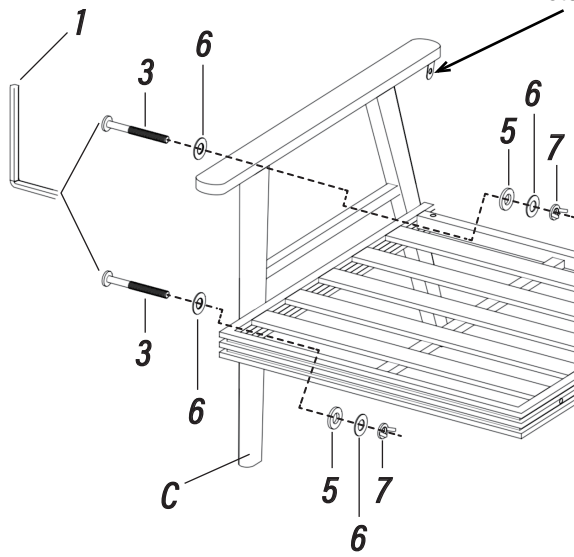
Product explosion diagram



<p>1</p>  <p>1 pcs</p>	<p>2 m6 x 75mm</p>  <p>3 pcs</p>	<p>3 m6 x 65mm</p>  <p>8 pcs</p>	<p>4 m6 x 35mm</p>  <p>2 pcs</p>	<p>5</p>  <p>13 pcs</p>
<p>6</p>  <p>26 pcs</p>	<p>7</p>  <p>13 pcs</p>			

<p>A</p>  <p>2 pcs</p>	<p>B</p>  <p>2 pcs</p>	<p>C</p>  <p>1 pcs</p>
<p>D</p>  <p>1 pcs</p>	<p>E</p>  <p>1 pcs</p>	

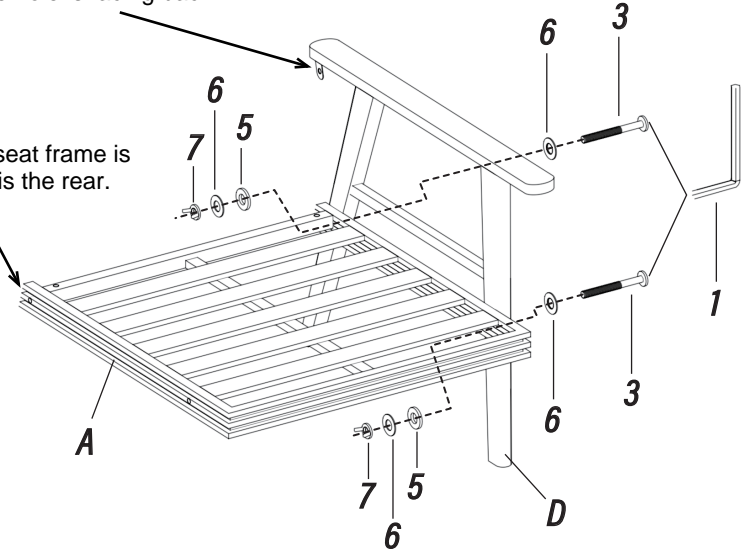
1



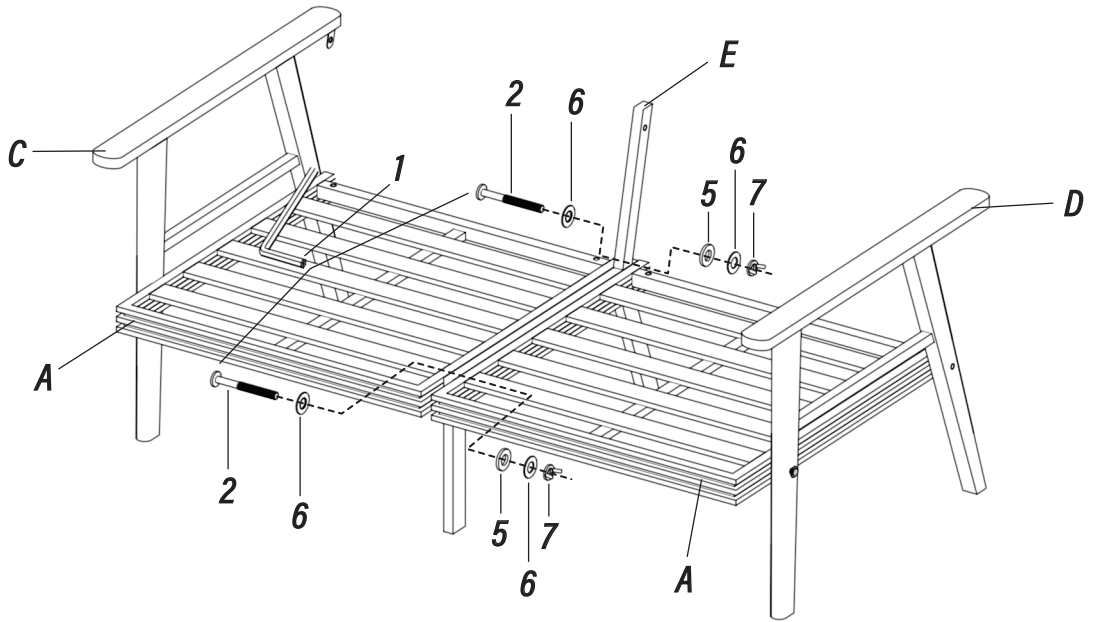
2

When installing the armrest frame, please note that the end with the hole is facing back.

The edge of the seat frame is sloped, this side is the rear.



3



4

