

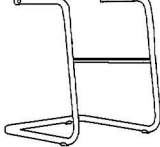
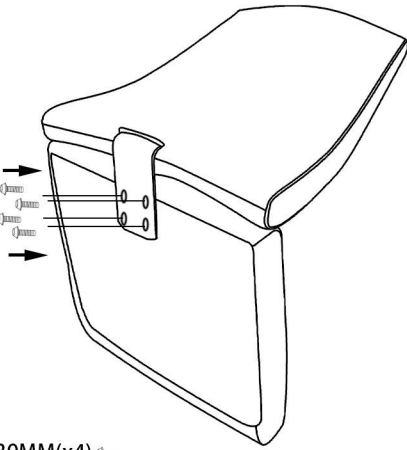
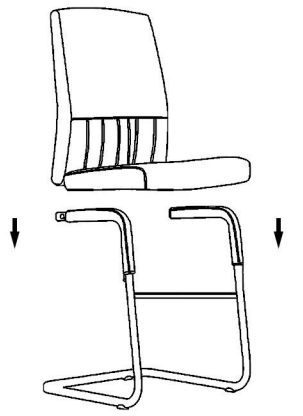








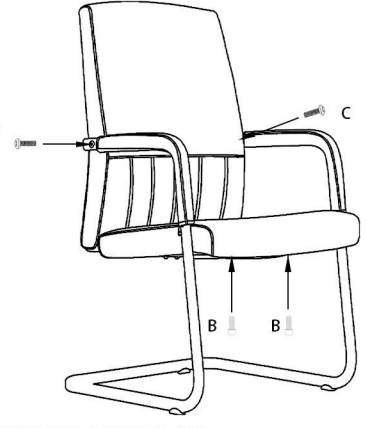
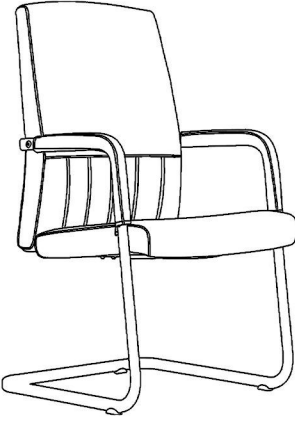






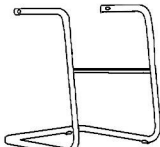
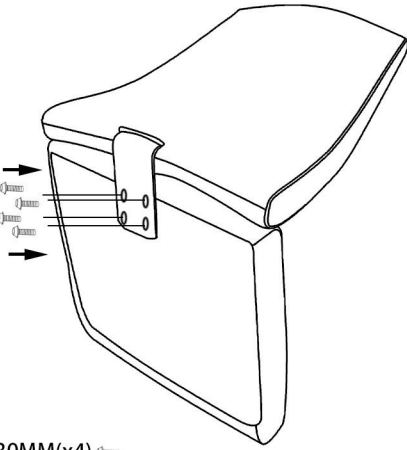
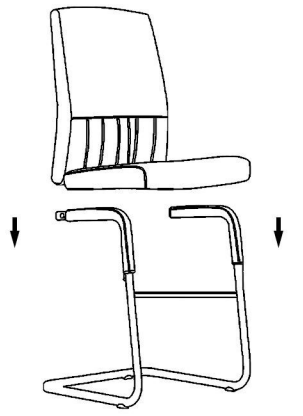








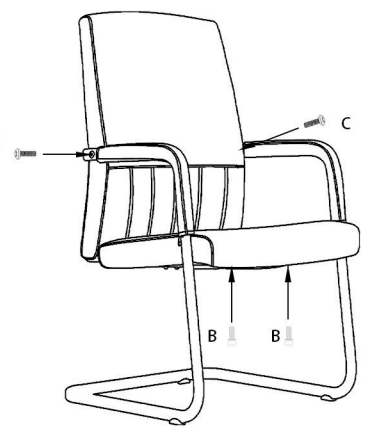
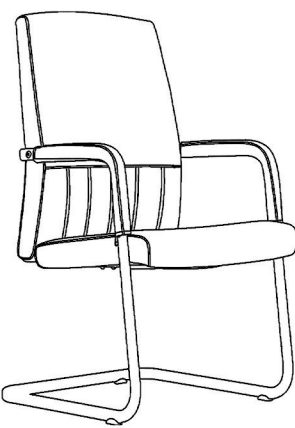






# Assembling Instruction

<p>(1) Back</p> 	<p>(2) Seat</p> 	<p>(3) Frame</p> 	<p>1</p>  <p>A</p> <p>A.6*30MM(x4)</p>	<p>2</p> 																
<p>(4) Screws</p> <table border="0"> <tr> <td>A.</td> <td></td> <td>x4</td> <td>6*30MM</td> </tr> <tr> <td>B.</td> <td></td> <td>x2</td> <td>6*35MM</td> </tr> <tr> <td>C.</td> <td></td> <td>x2</td> <td>8*35MM</td> </tr> <tr> <td>D.</td> <td></td> <td>x1</td> <td>M5</td> </tr> </table>			A.		x4	6*30MM	B.		x2	6*35MM	C.		x2	8*35MM	D.		x1	M5	<p>3</p>  <p>C</p> <p>B</p> <p>B</p> <p>B.6*35MM (X2) / C.8*35MM (X2)</p>	<p>4</p> 
A.		x4	6*30MM																	
B.		x2	6*35MM																	
C.		x2	8*35MM																	
D.		x1	M5																	

# Assembling Instruction

<p>(1) Back</p> 	<p>(2) Seat</p> 	<p>(3) Frame</p> 	<p>1</p>  <p>A</p> <p>A.6*30MM(x4)</p>	<p>2</p> 																
<p>(4) Screws</p> <table border="0"> <tr> <td>A.</td> <td></td> <td>x4</td> <td>6*30MM</td> </tr> <tr> <td>B.</td> <td></td> <td>x2</td> <td>6*35MM</td> </tr> <tr> <td>C.</td> <td></td> <td>x2</td> <td>8*35MM</td> </tr> <tr> <td>D.</td> <td></td> <td>x1</td> <td>M5</td> </tr> </table>			A.		x4	6*30MM	B.		x2	6*35MM	C.		x2	8*35MM	D.		x1	M5	<p>3</p>  <p>C</p> <p>B</p> <p>B</p> <p>B.6*35MM (X2) / C.8*35MM (X2)</p>	<p>4</p> 
A.		x4	6*30MM																	
B.		x2	6*35MM																	
C.		x2	8*35MM																	
D.		x1	M5																	