

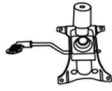
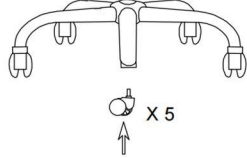
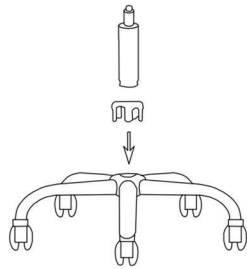
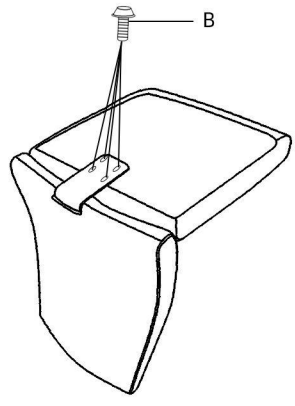
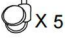


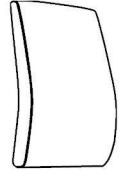

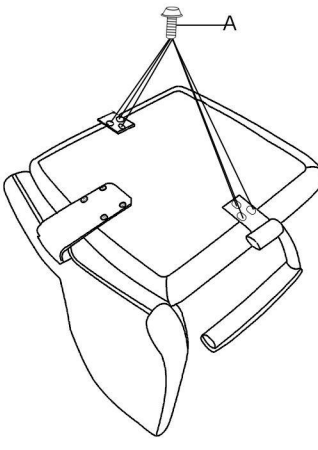
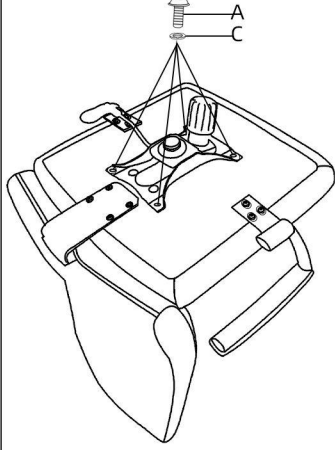





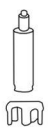
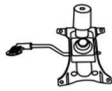
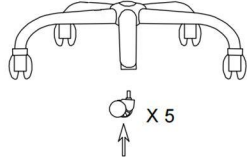
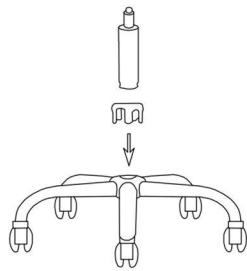
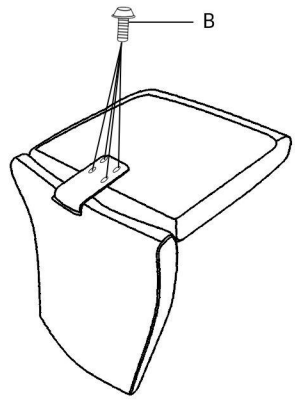



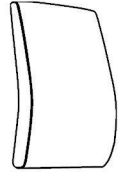

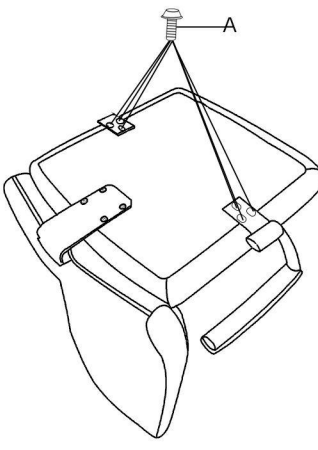
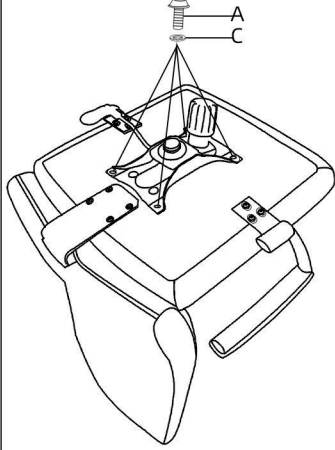






Assembling Instruction

① Base		② Gas Column		③ Mechanism		01	02	03
								
 X 5								
④ Armrest		⑤ Seat		⑥ Backrest		A	B	06
								
A	6X20MM		X10					
B	6X30MM		X4					
C	6X16MM		X4					
D	M5		X1					
E								
F								

Assembling Instruction

① Base		② Gas Column		③ Mechanism		01	02	03
								
 X 5								
④ Armrest		⑤ Seat		⑥ Backrest		A	B	06
								
A	6X20MM		X10					
B	6X30MM		X4					
C	6X16MM		X4					
D	M5		X1					
E								
F								