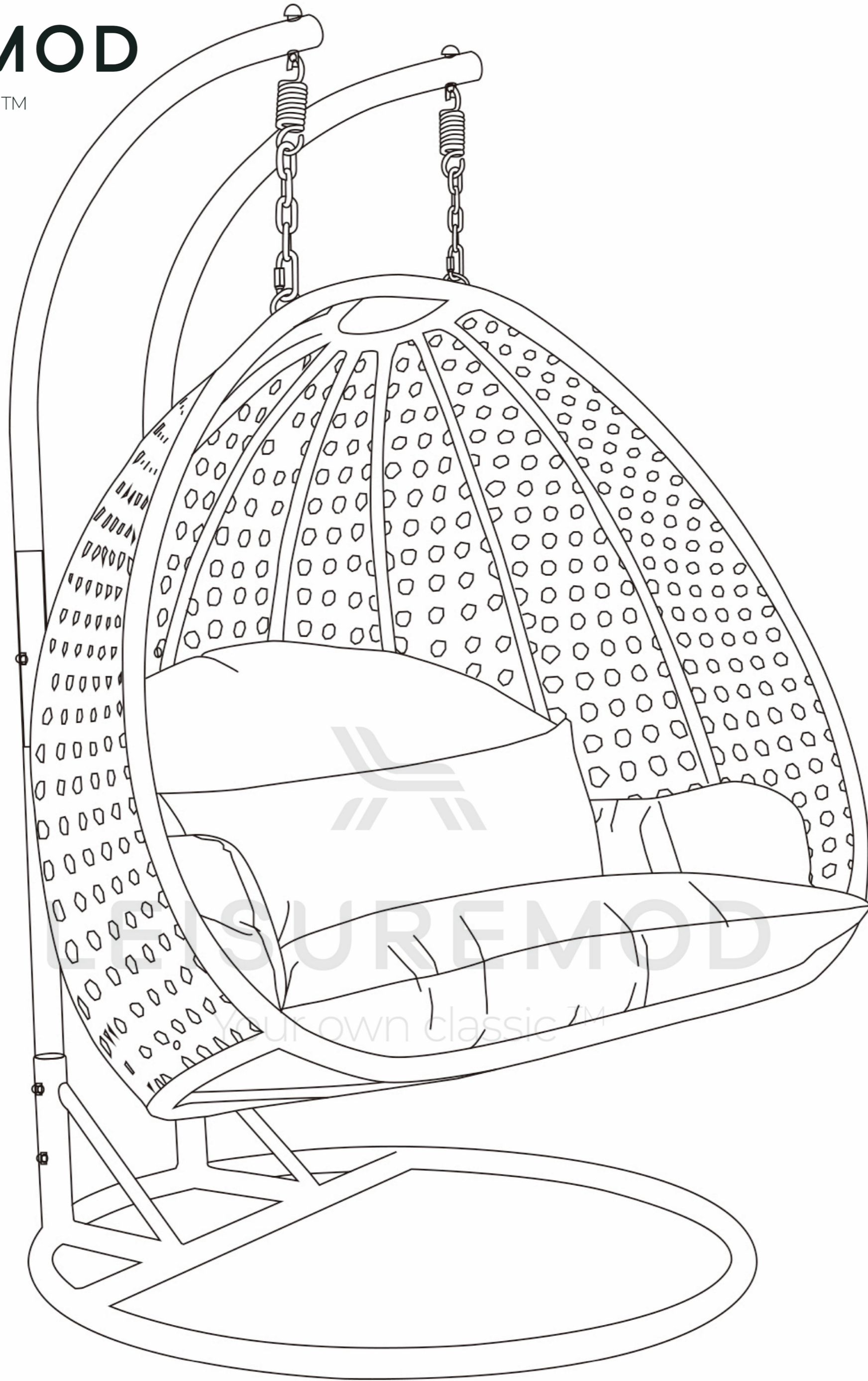




LEISUREMOD

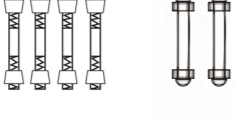
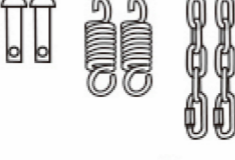




Your own classic™

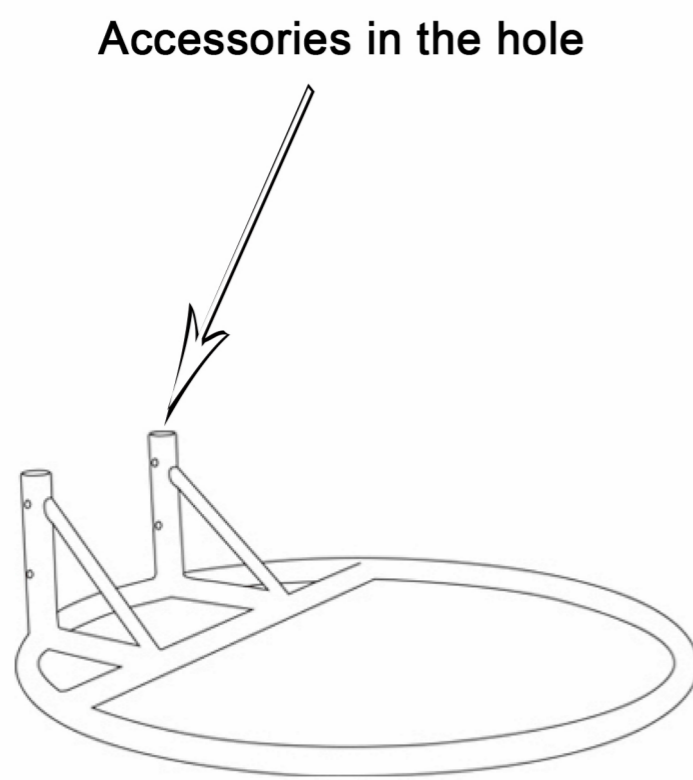


The installation steps apply to the single and double swing chair.

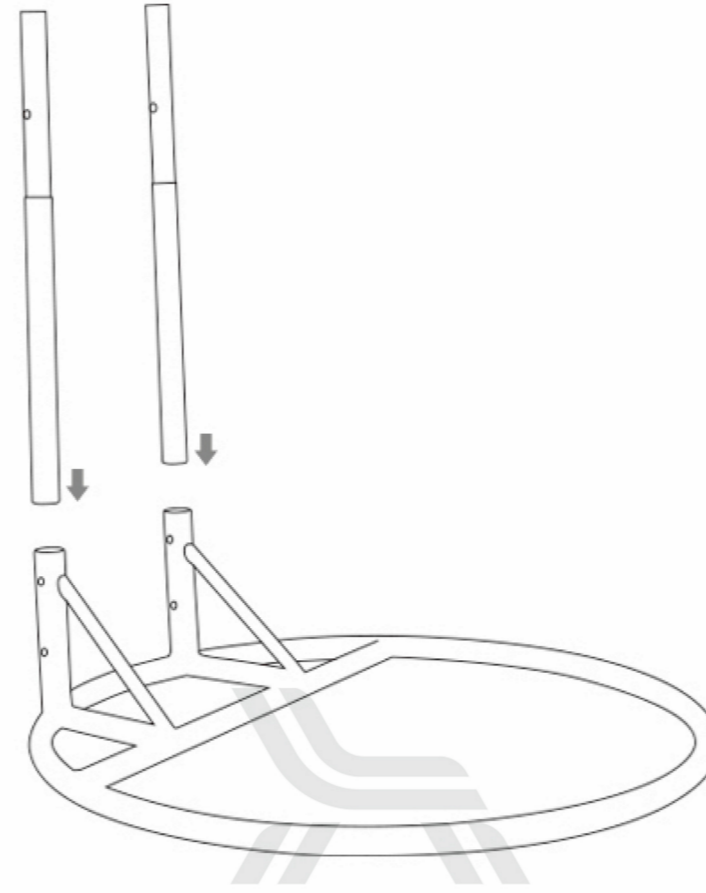
— SWING CHAIR —

Installation steps

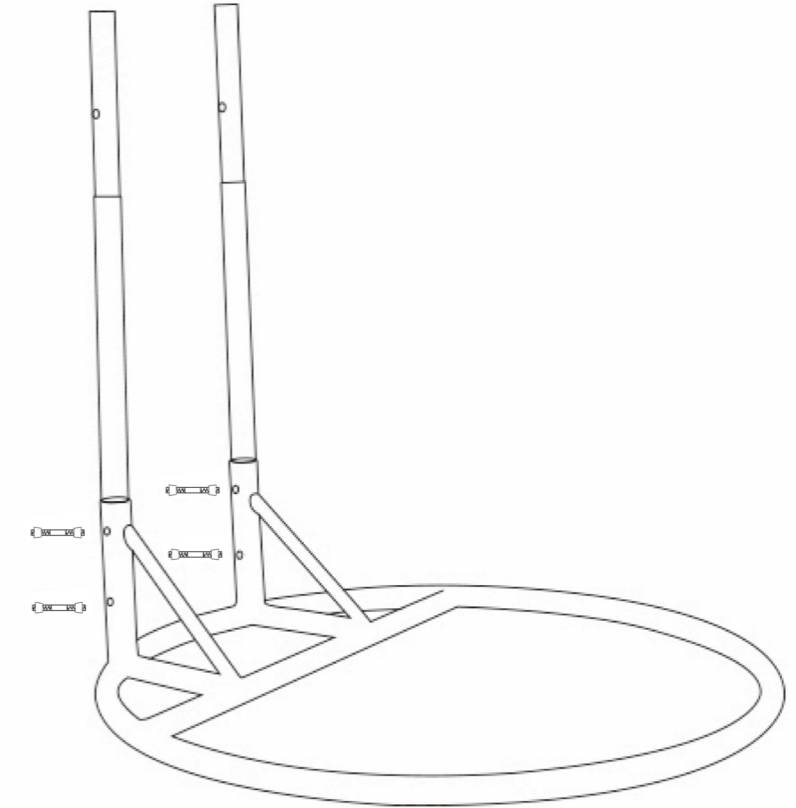
 screw with nut (6pcs)	 accessories (2pcs for each)	 base (1pc)	 middle pole (2pcs)	 upper pole (2pcs)	 basket with cushion (1pc)
---	---	---	--	---	---



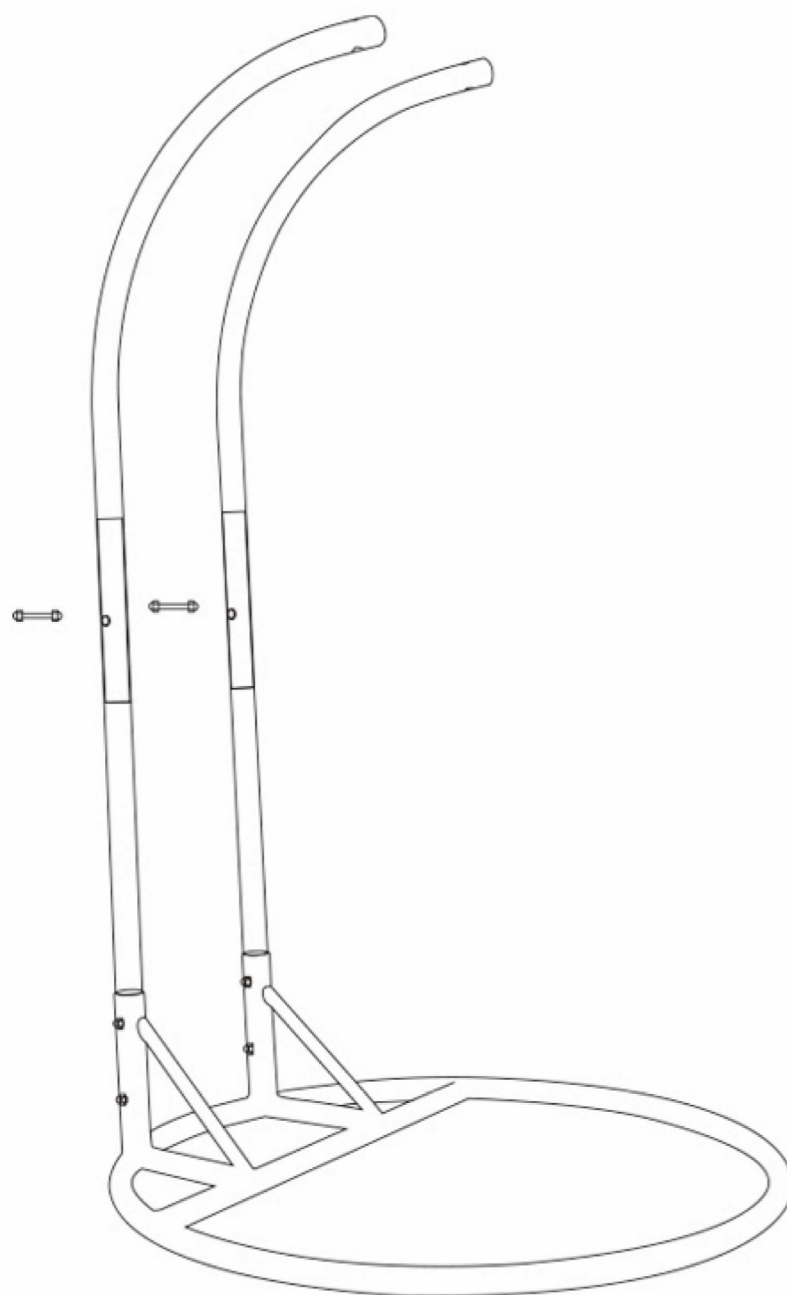
1 Put the base on the ground and remove the package.



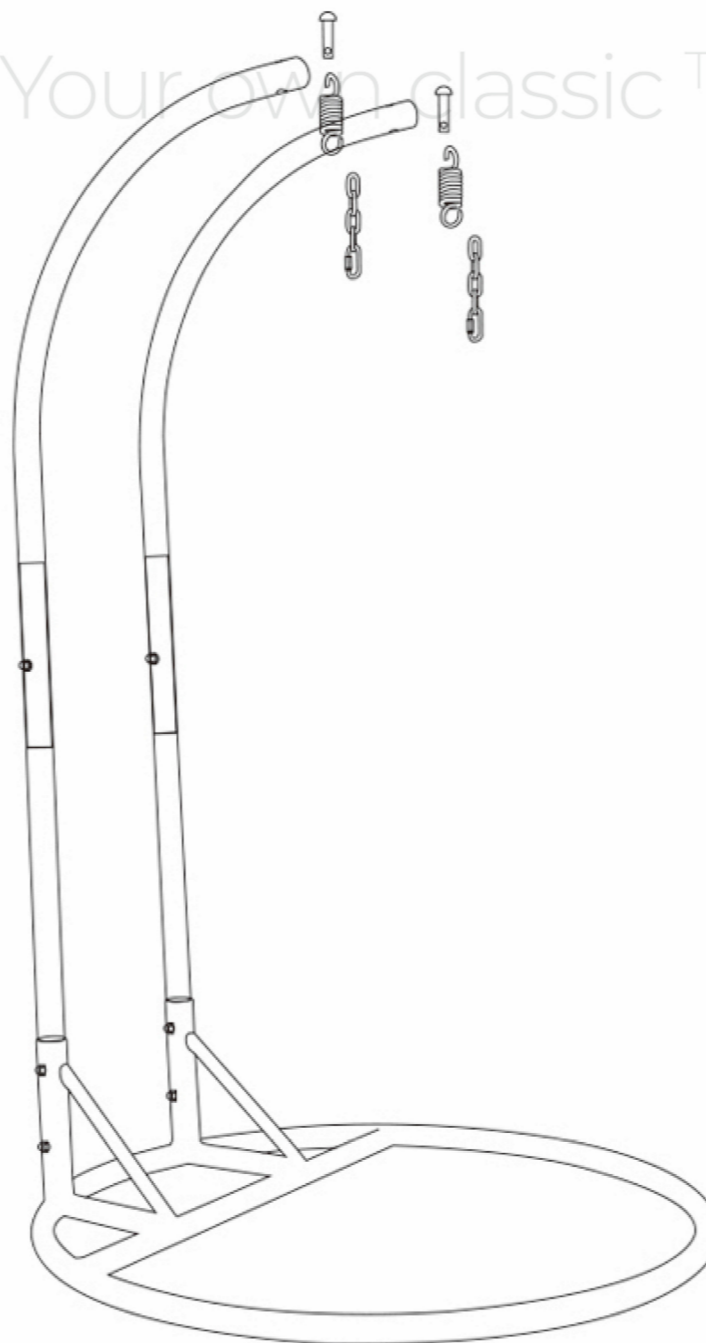
2 Insert the middle pole into the base vertically.



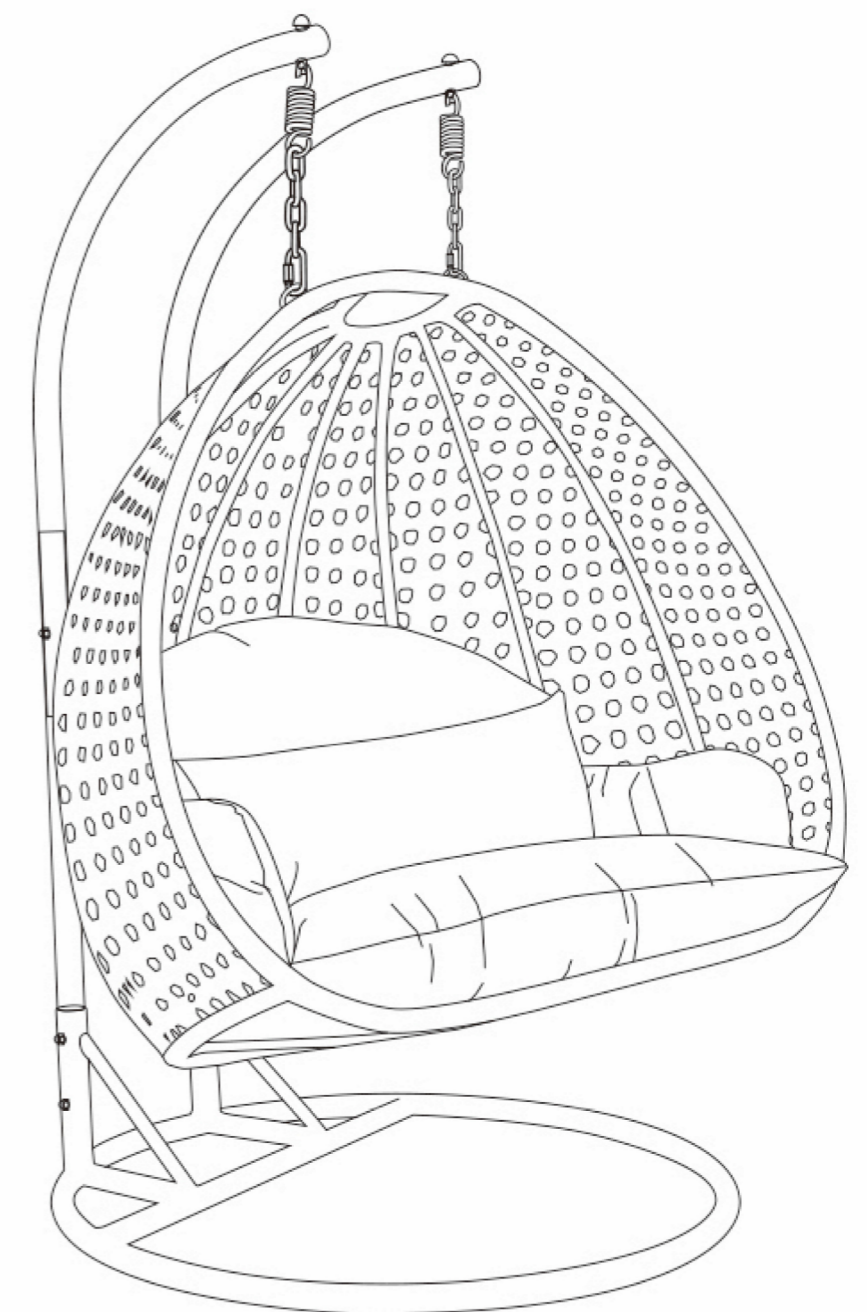
3 Screw the middle pole with nuts.



4 Screw the upper pole with nuts.



5 Insert the screw through upper hole, then install the spring hook, finally, connect the chain and spring hook together.



6 Hang the basket into the chain.