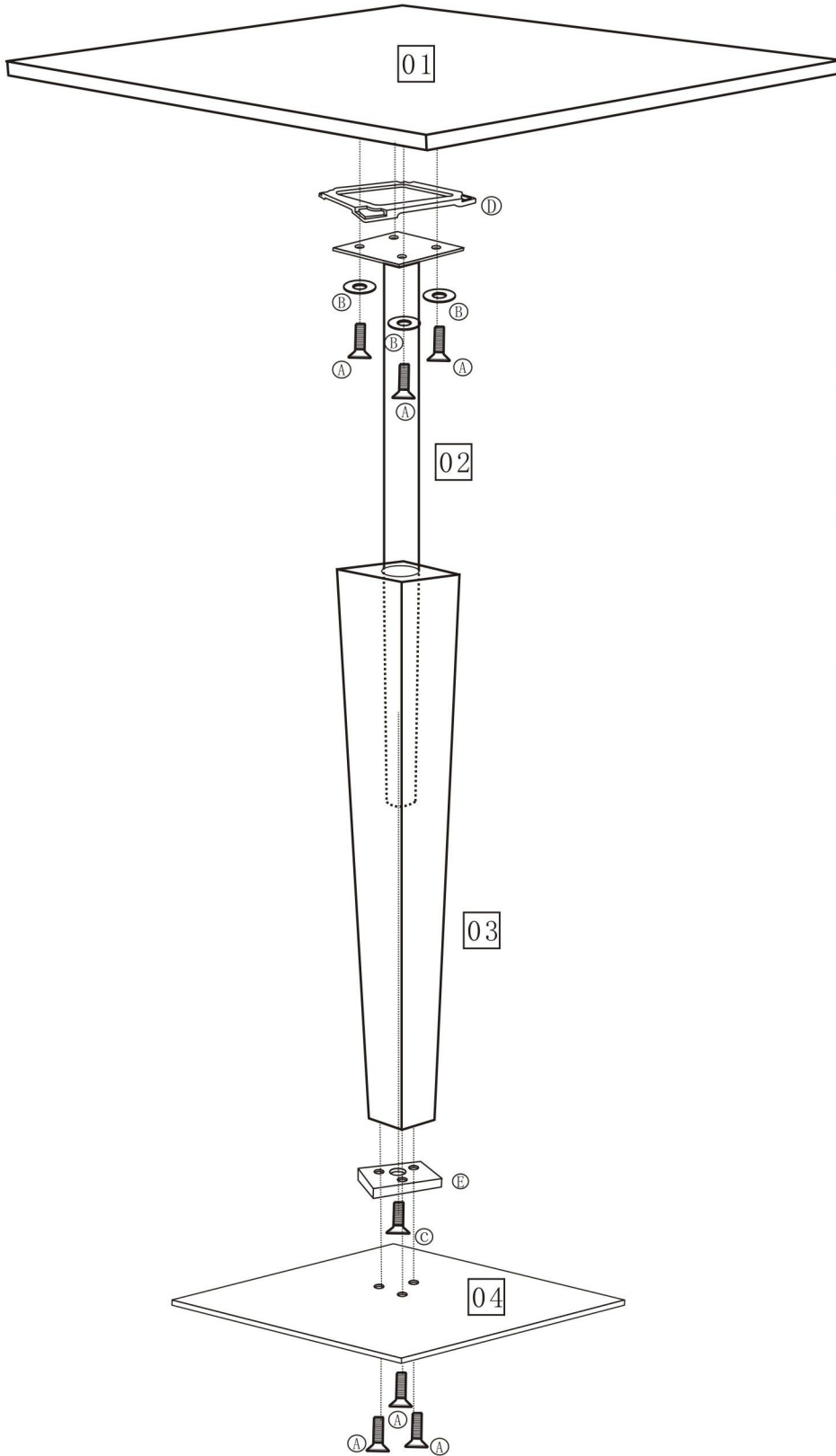
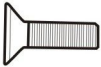

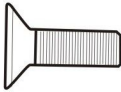




COMPONENT PARTS

FITTINGS



Ⓐ		*7
Ⓑ		*4
Ⓒ		*1
Ⓓ		*1
Ⓔ		*1

COMPONENT CHECKLIST

PART	No.	Qty.	
Tabletop	01	1	<input type="checkbox"/>
Axis	02	1	<input type="checkbox"/>
Leg	03	1	<input type="checkbox"/>
Base	04	1	<input type="checkbox"/>

TOOLS REQUIRED



Allen key (supplied)



Allen key (supplied)