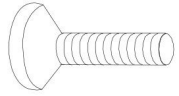
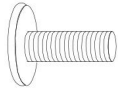


HT25



S1*10



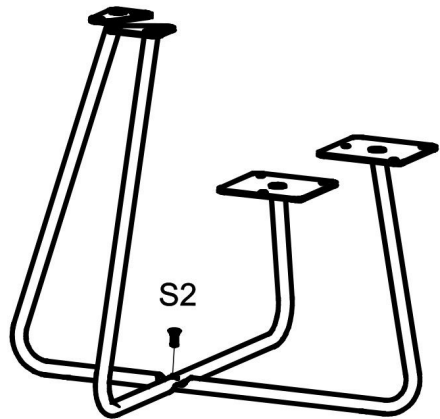
S2*1



S3*1

Step1

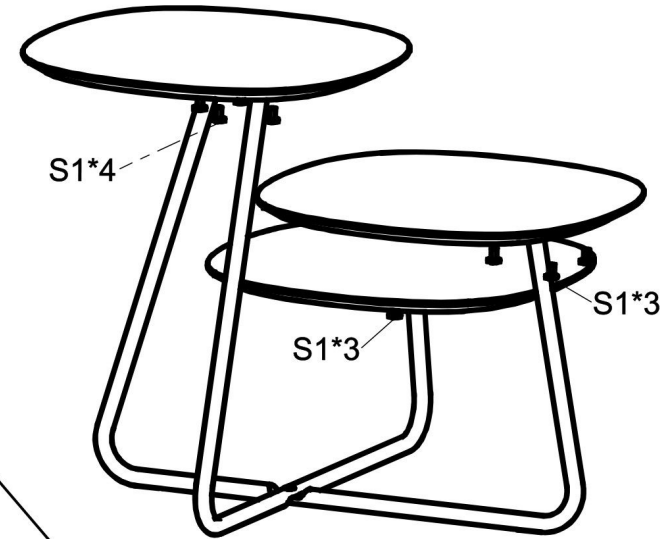
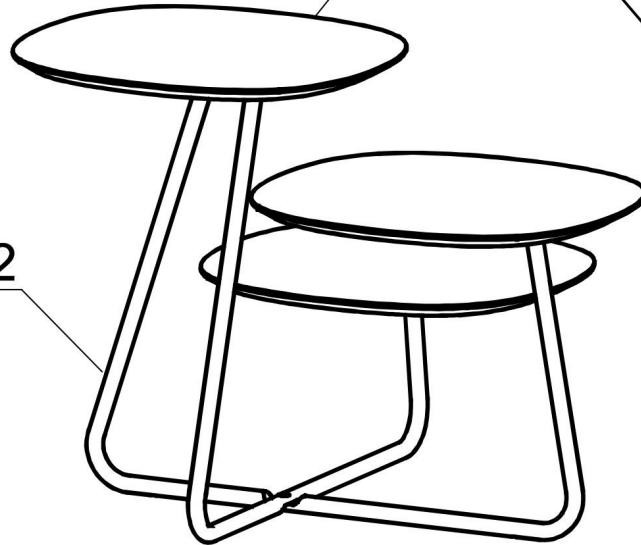
Step2



S2

B x 2

A x 3



S1*4

S1*3

S1*3

80%



100%

