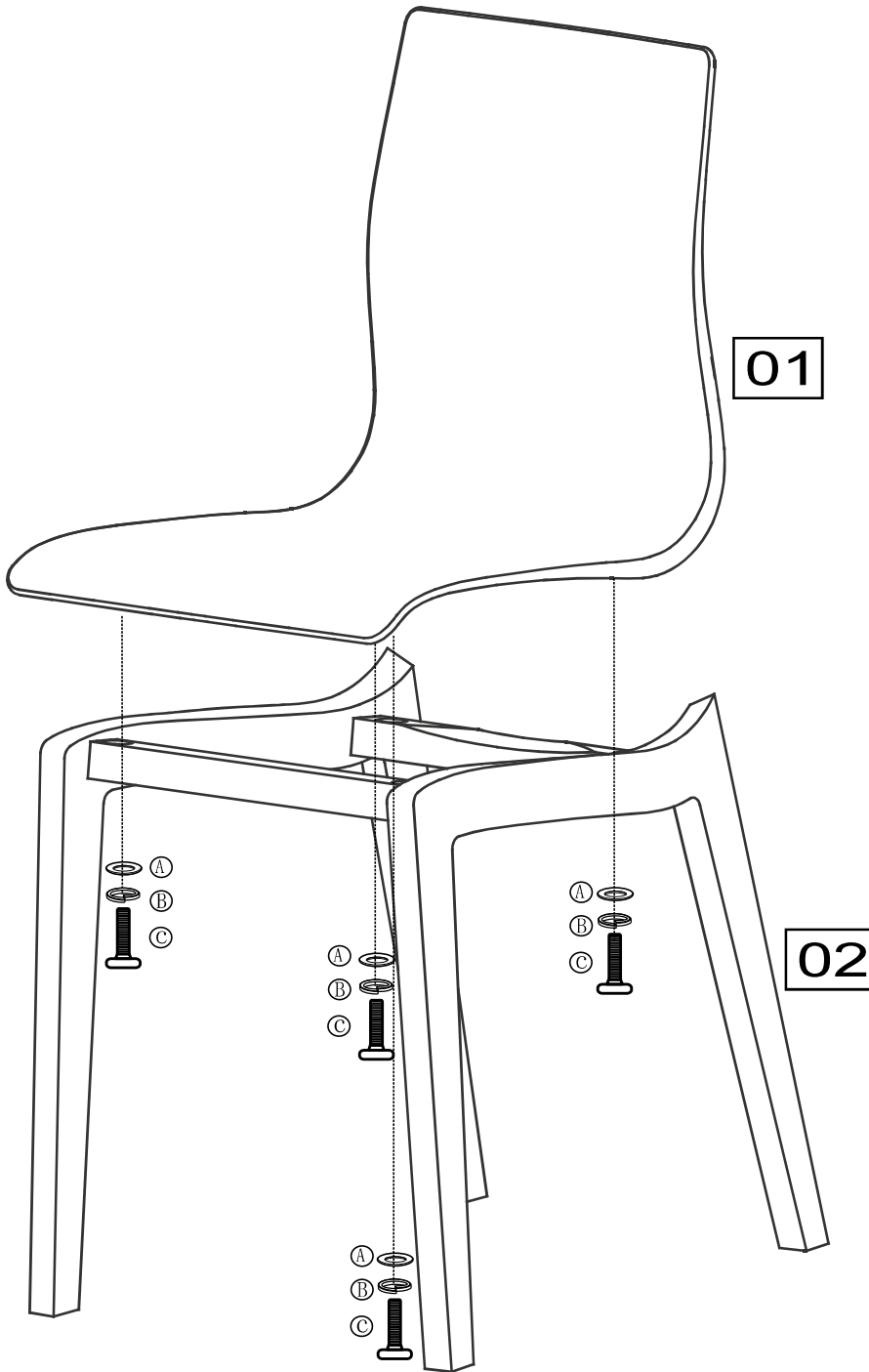


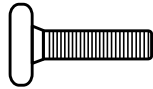
COMPONENT PARTS

FITTINGS



Ⓐ  X4


Ⓑ  X4

Ⓒ  X4

COMPONENT CHECKLIST

PARTS	NO.	Qty.
Seat	01	1 <input type="checkbox"/>
Leg	02	1 <input type="checkbox"/>

TOOLS REQUIRED


Allen key (supplied)