



LEISUREMOD

Your own classic™

Chaise With Arms Assembly Guide

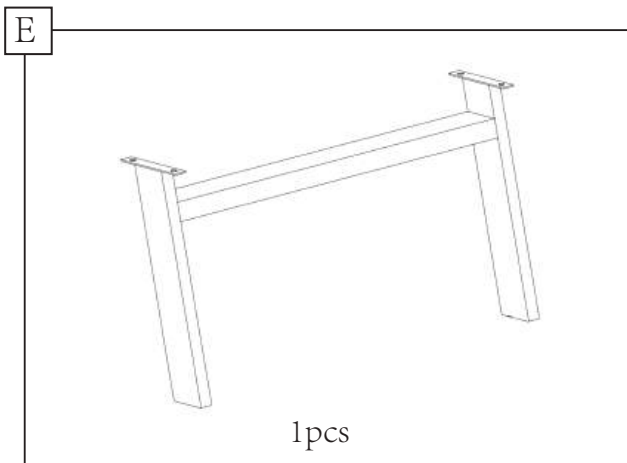
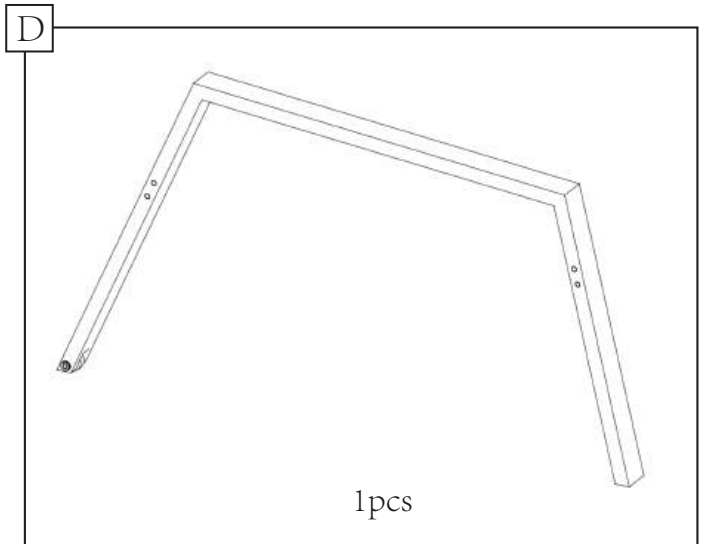
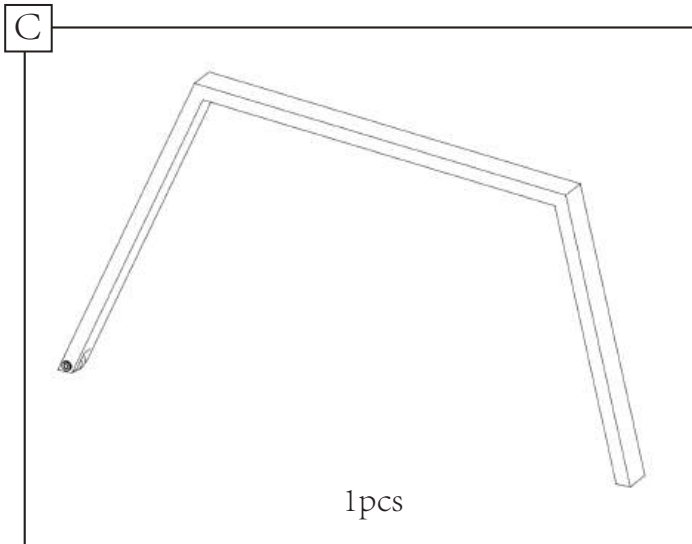
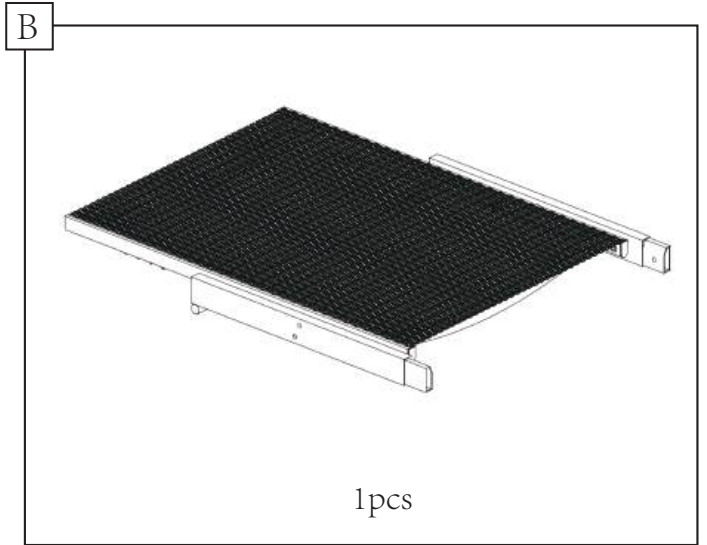
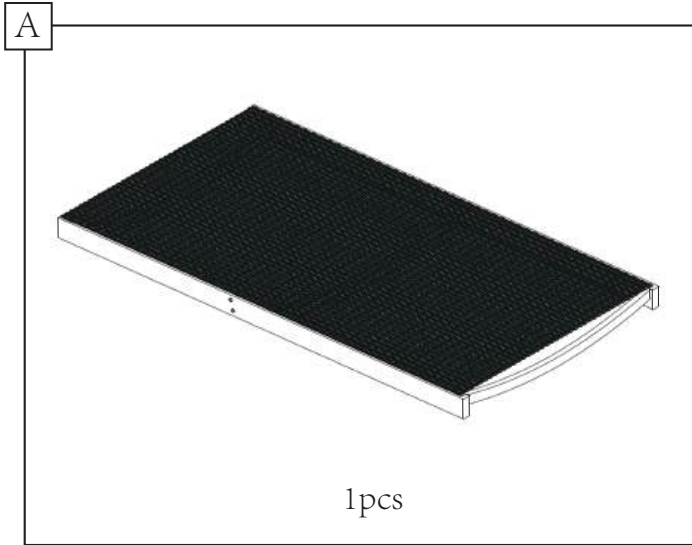
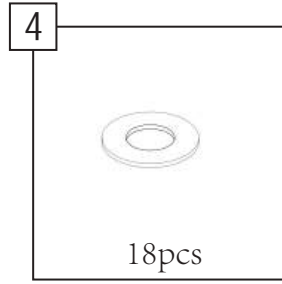
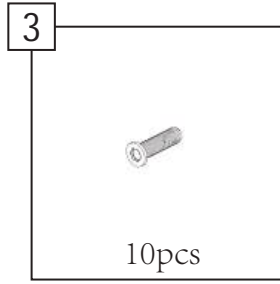
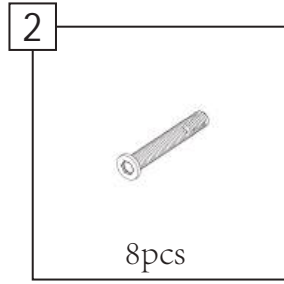
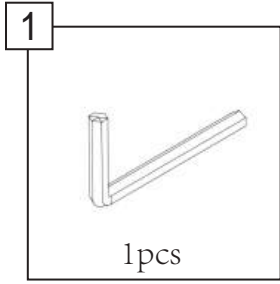




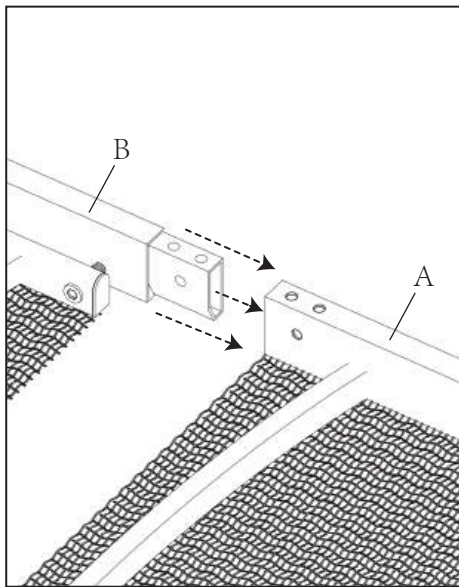
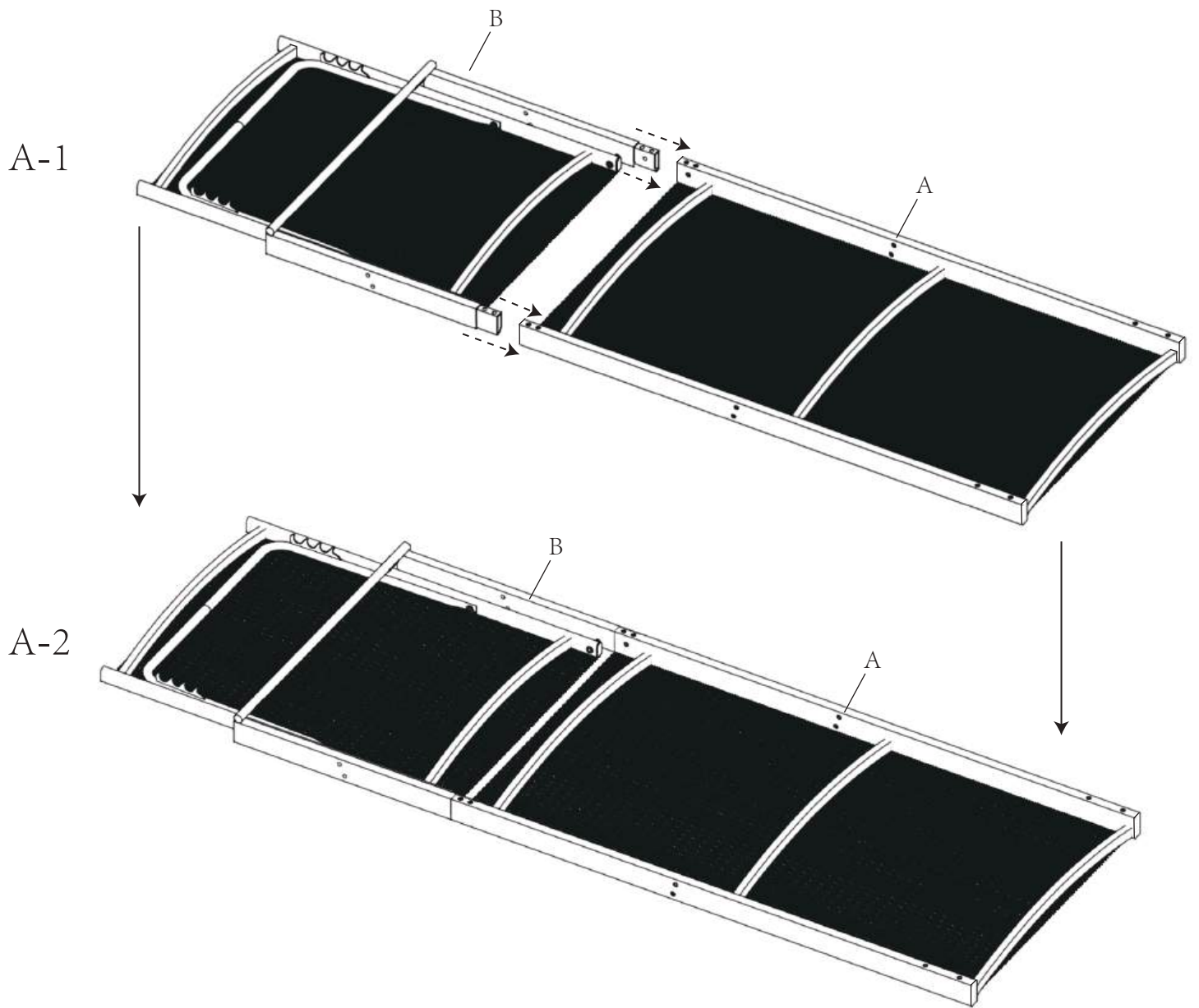
READ BEFORE INSTALLATION

- 1.Placing the product on a soft and smooth surface is desperately needed during the installation such as rug or carpet.*
- 2.Please use the low speed when you are using an electric power tool.*
- 3.1-2 persons are recommended for assembly.*
- 4.You can scan the QR code below with your phone to watch a more detailed as sembly video.*

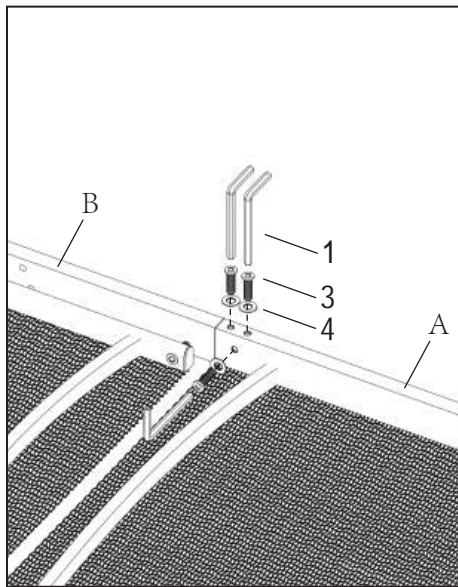




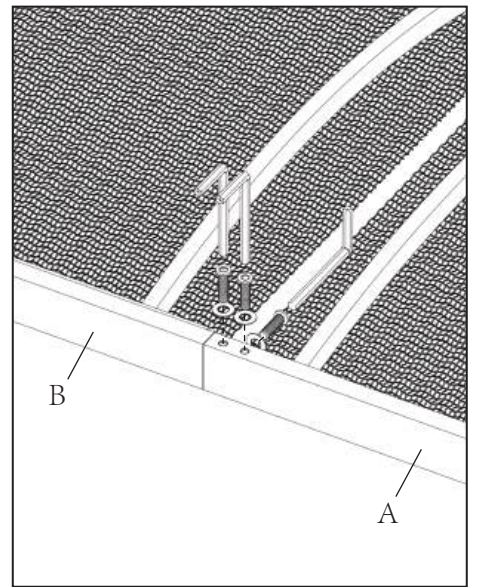
1



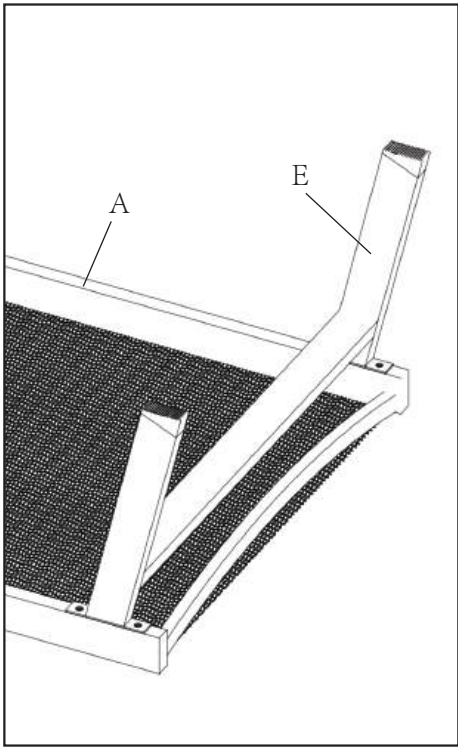
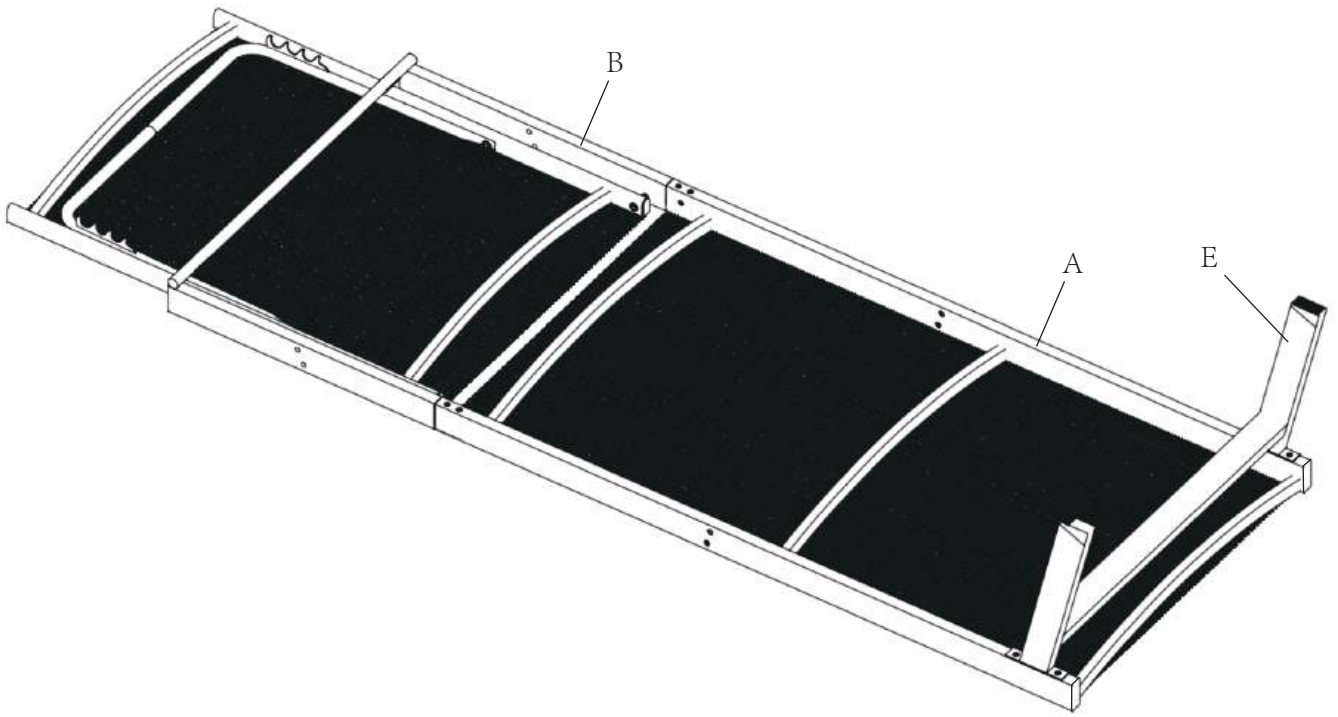
1-1



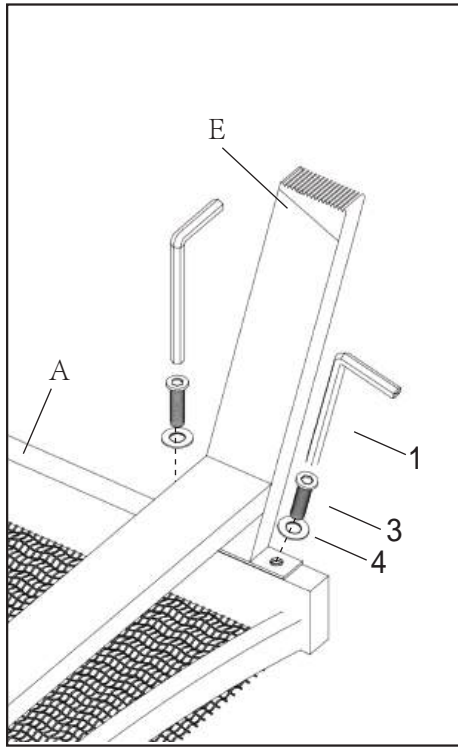
1-2



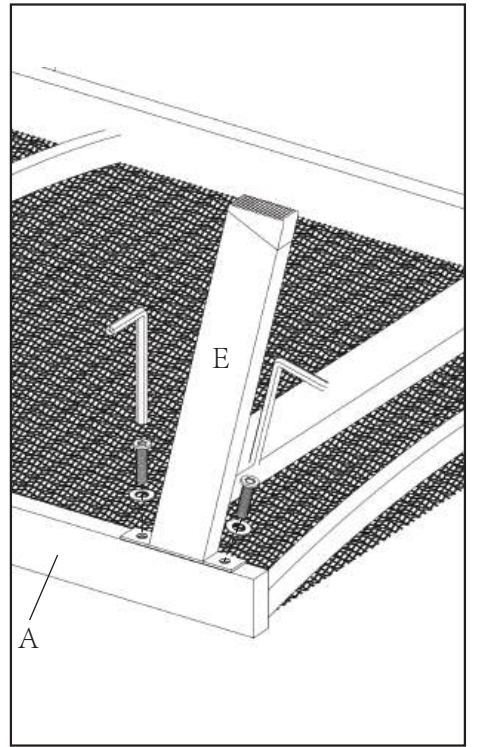
1-3



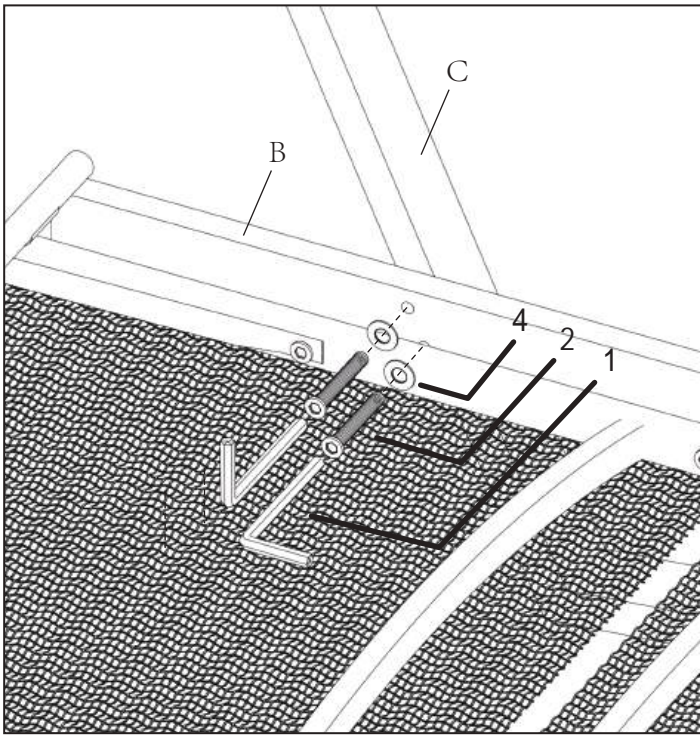
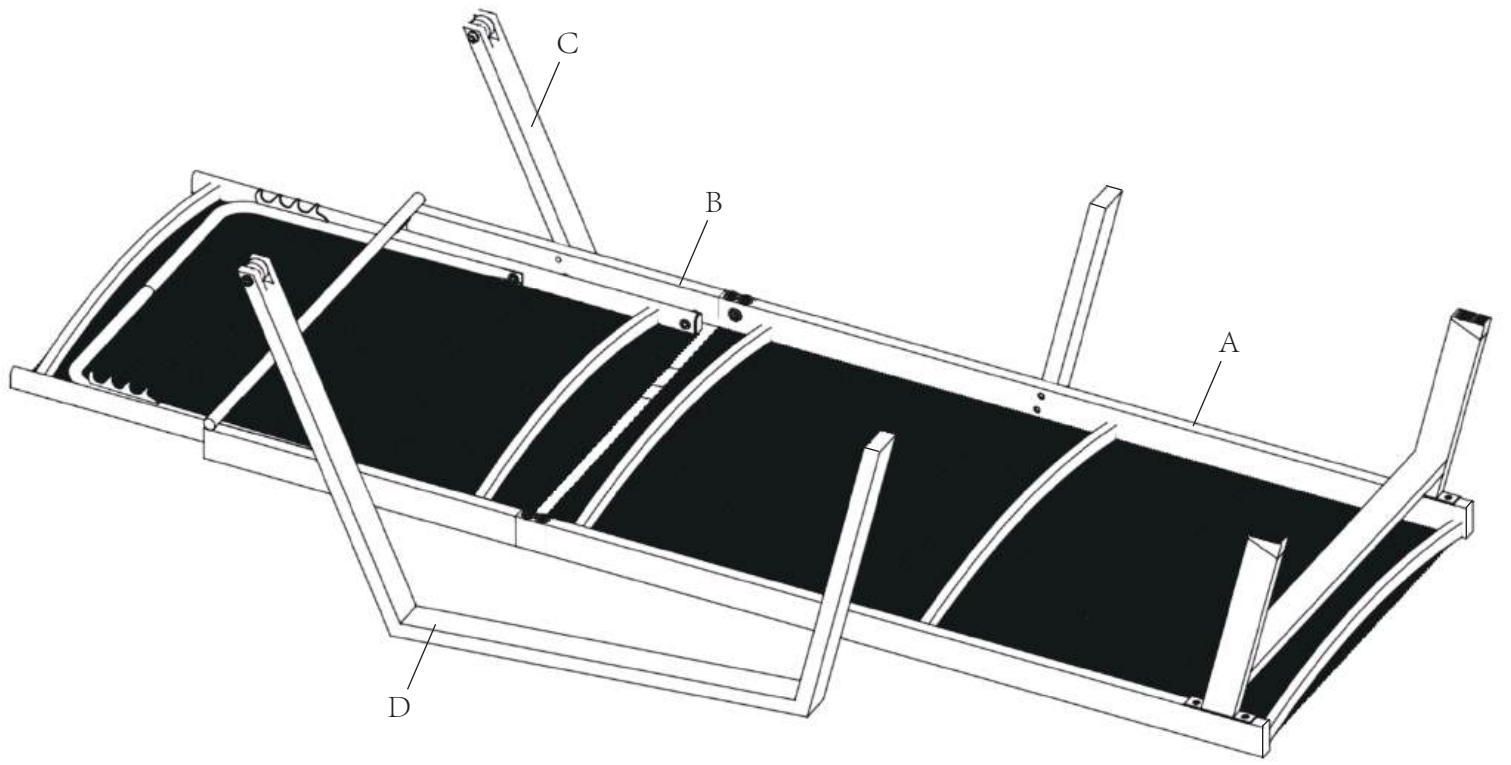
1-1



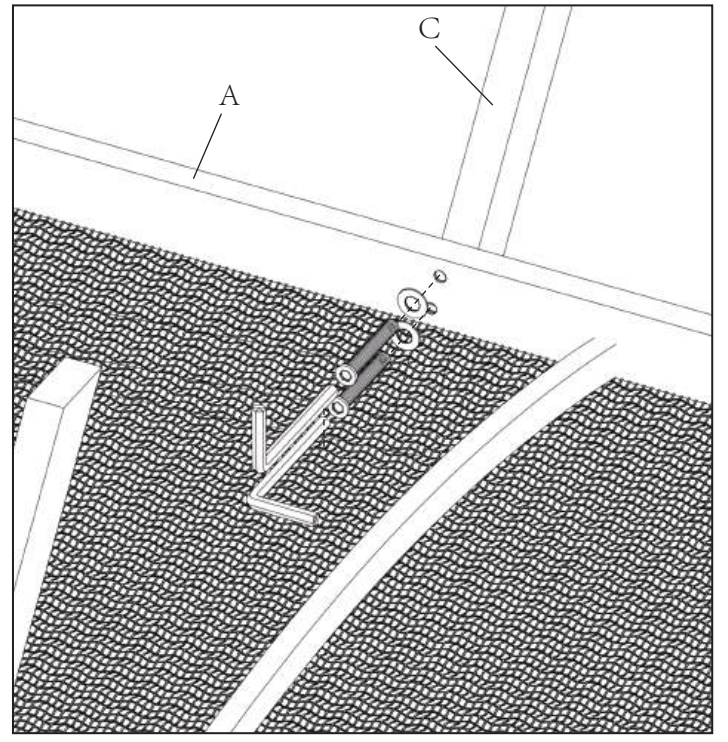
1-2



1-3



1-1



1-2