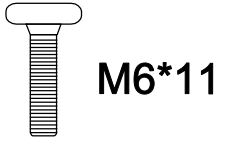
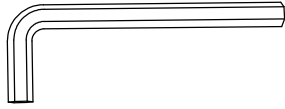


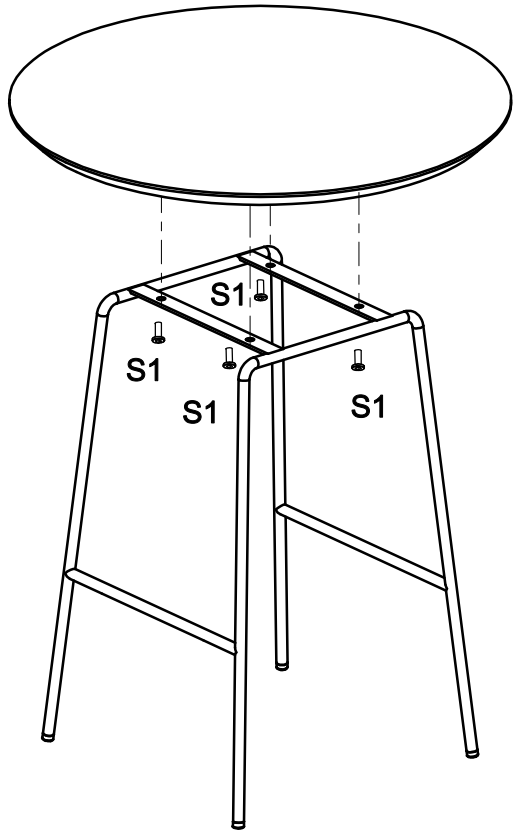
RS19



S1*4



S2*1



A x1

B x1

