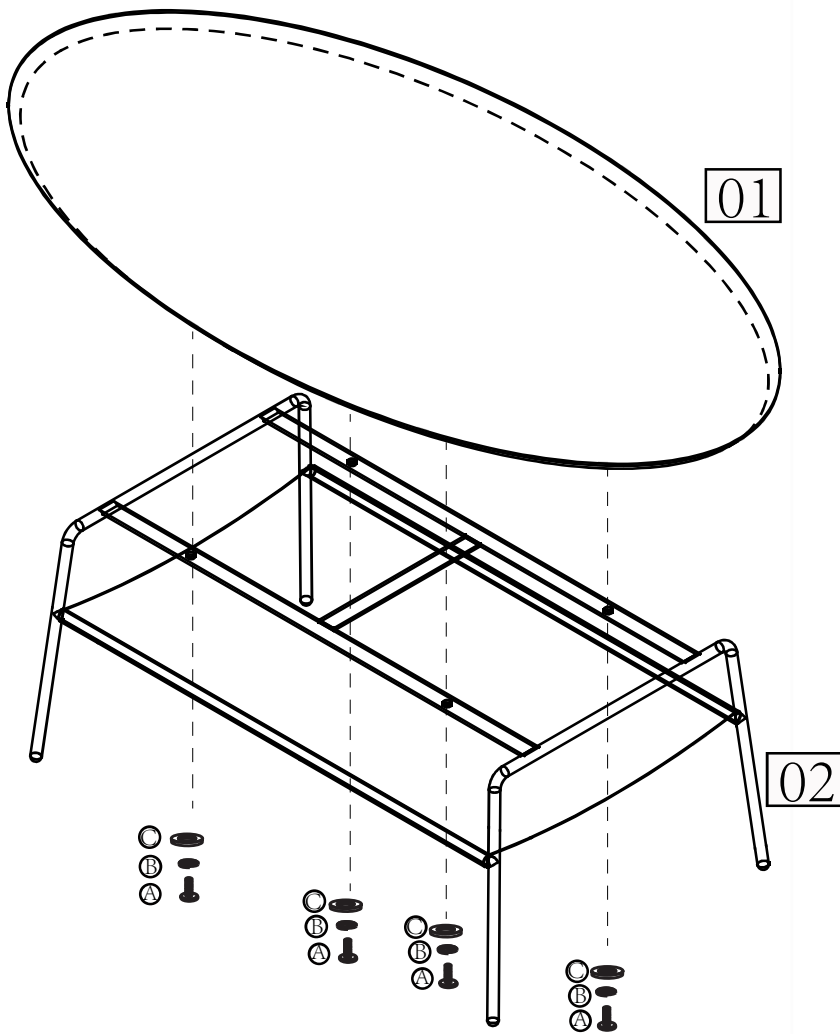


COMPONENT PARTS

FITTINGS



Ⓐ  × 4

Ⓑ  × 4

Ⓒ  × 4

COMPONENT CHECKLIST

PART	No.	Qty.	
Tabetop	01	1	<input type="checkbox"/>
Leg	02	1	<input type="checkbox"/>

TOOLS REQUIRED



Allen key (supplied)