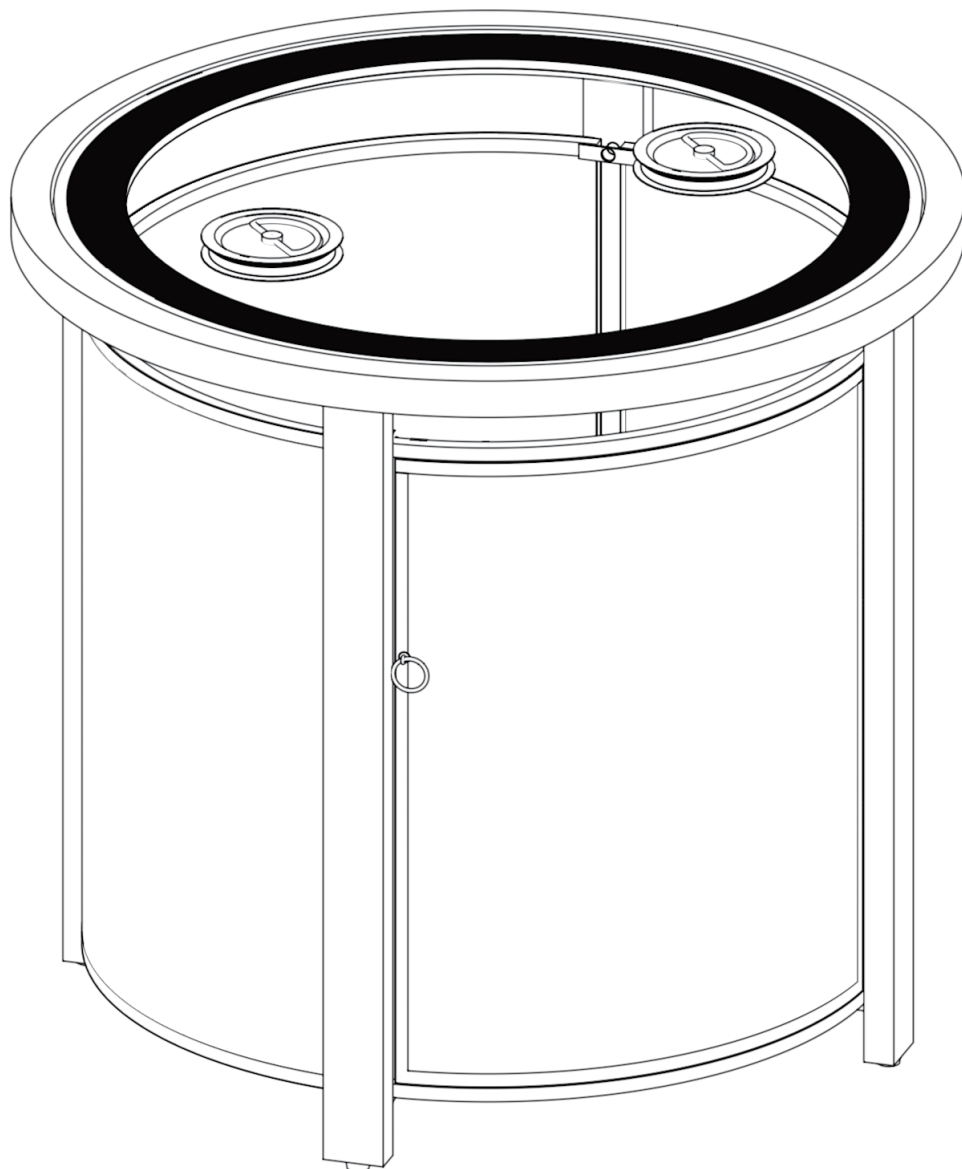




LEISUREMOD

Your own classic™

Round Tank Holder Assembly Guide

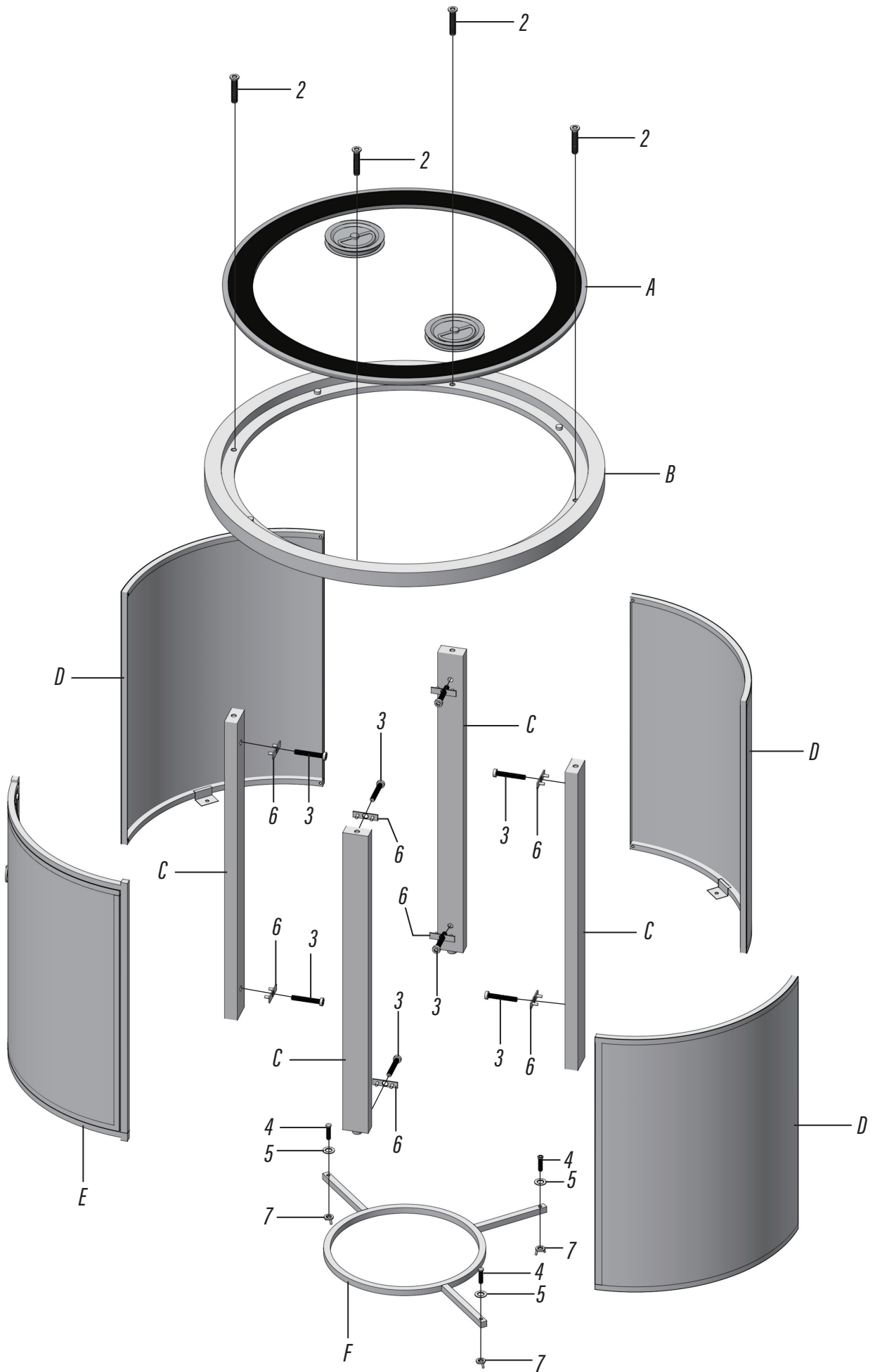


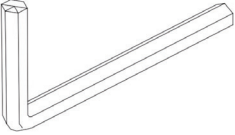

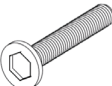
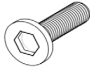

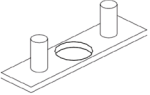



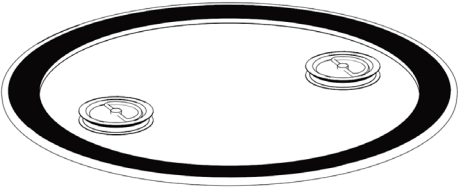
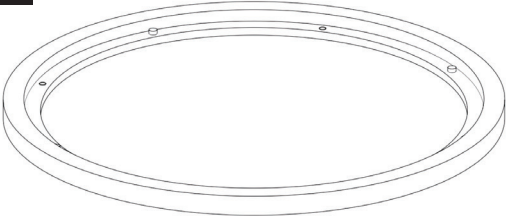

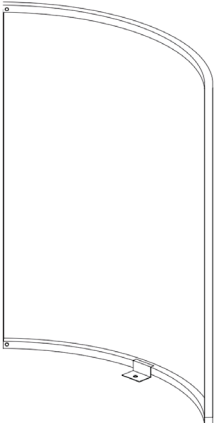
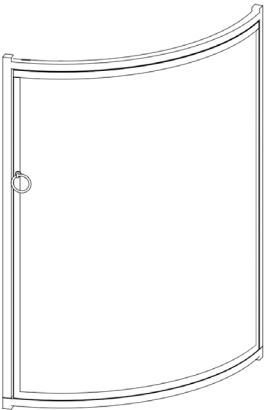

READ BEFORE INSTALLATION

- 1. This product contains tempered glass, please protect carefully.*
- 2. Placing the table top on a soft and smooth surface is desperately needed during the installation such as rug or carpet.*
- 3. Please use the low speed when you are using an electric power tool.*
- 4. 2 Person are needed for the assembly progress.*
- 5. You can scan the QR code below with your phone to watch a more detailed assembly video.*

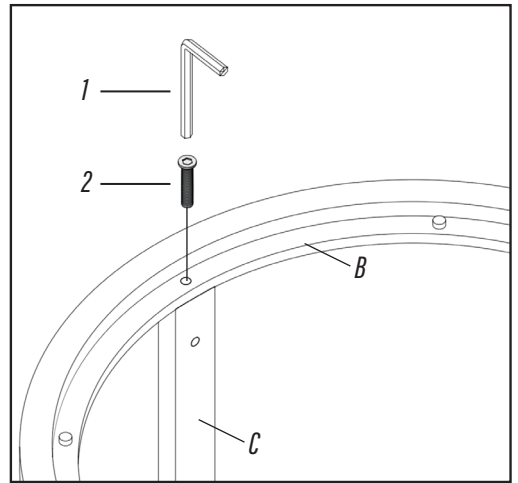
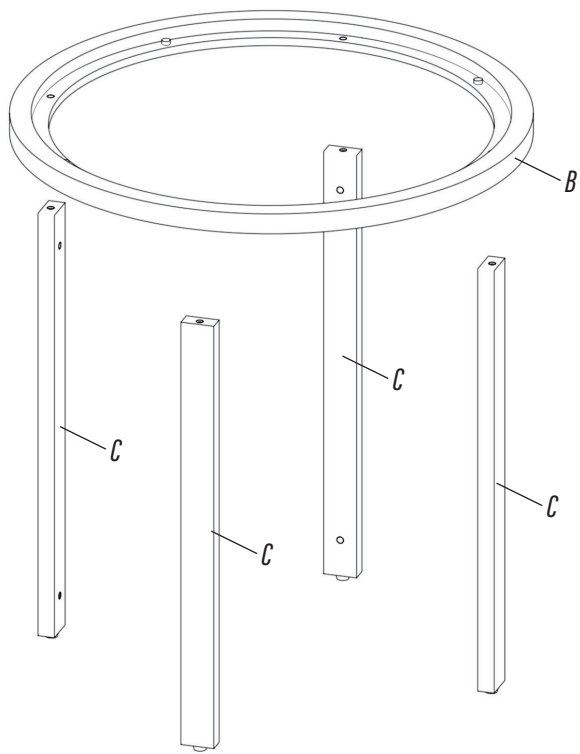
Product explosion diagram



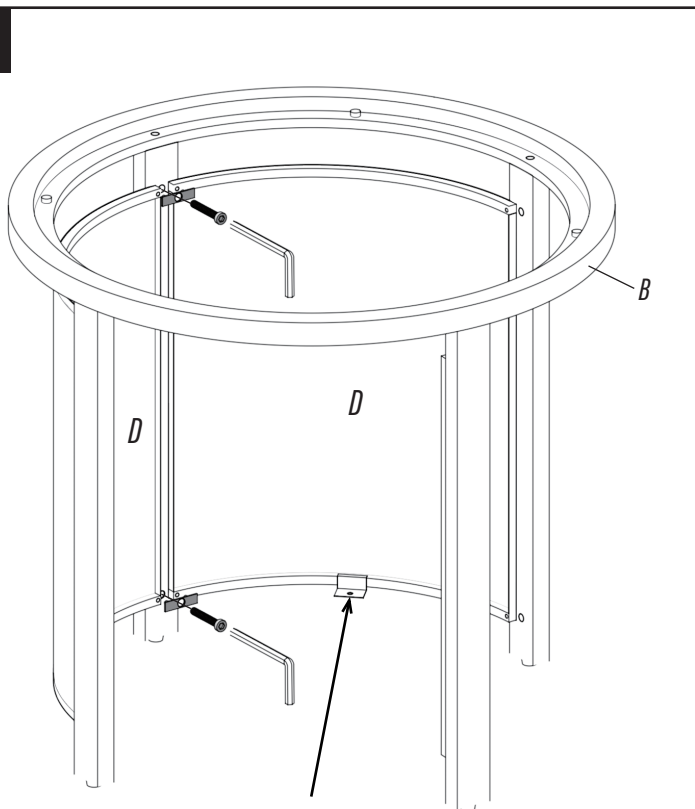
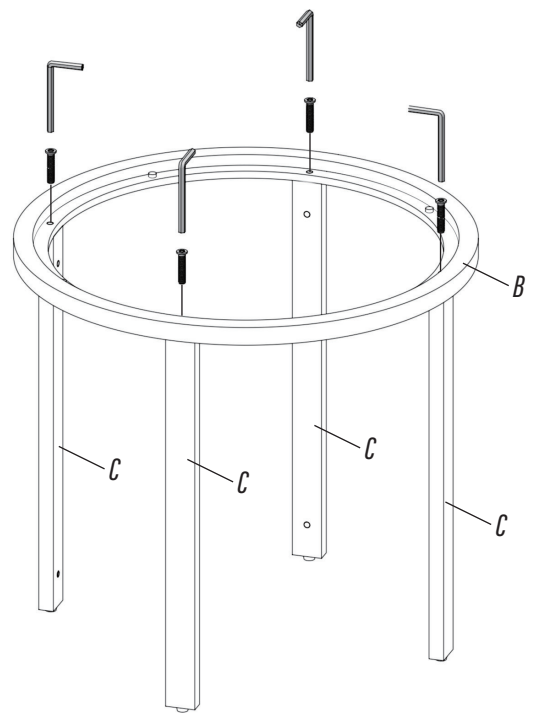
<p>1</p>  <p>1 pcs</p>	<p>2 m8 x 25mm</p>  <p>4 pcs</p>	<p>3 m6 x 35mm</p>  <p>8 pcs</p>	<p>4 m6 x 25mm</p>  <p>3 pcs</p>	<p>5</p>  <p>3 pcs</p>
<p>6</p>  <p>8 pcs</p>	<p>7</p>  <p>3 pcs</p>			

<p>A</p>  <p>1 pcs</p>	<p>B</p>  <p>1 pcs</p>	<p>C</p>  <p>4 pcs</p>
<p>D</p>  <p>3 pcs</p>	<p>E</p>  <p>1 pcs</p>	
<p>F</p>  <p>1 pcs</p>		

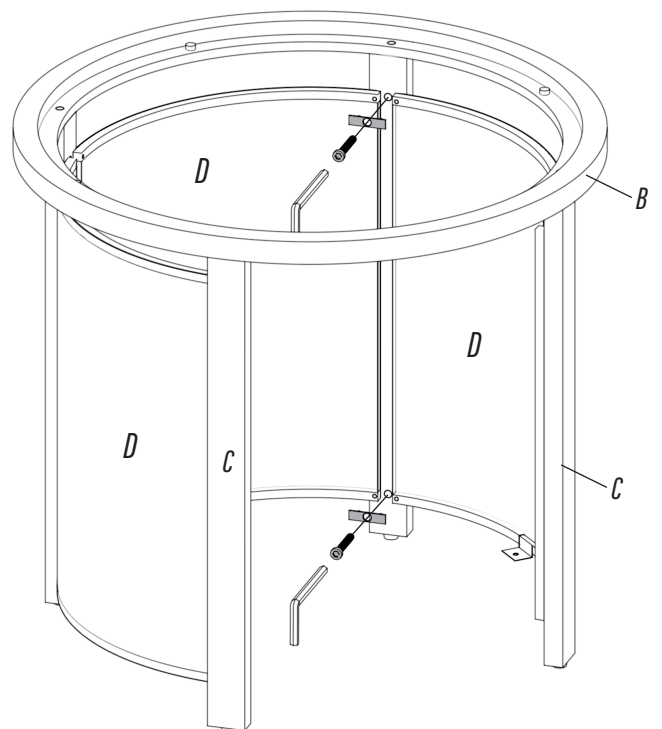
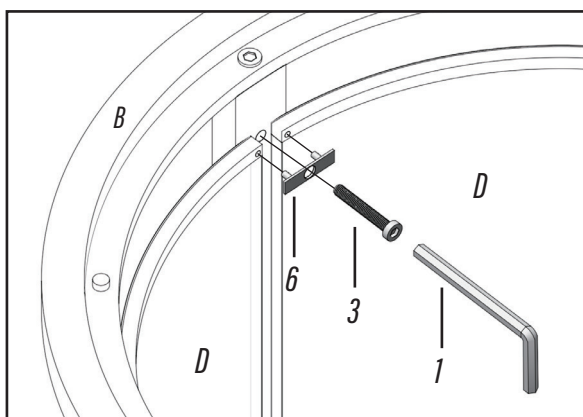
1



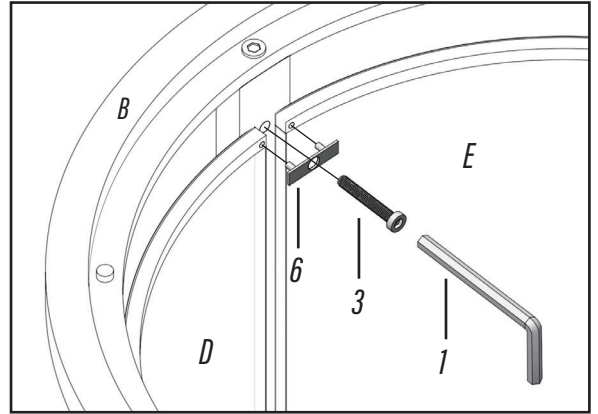
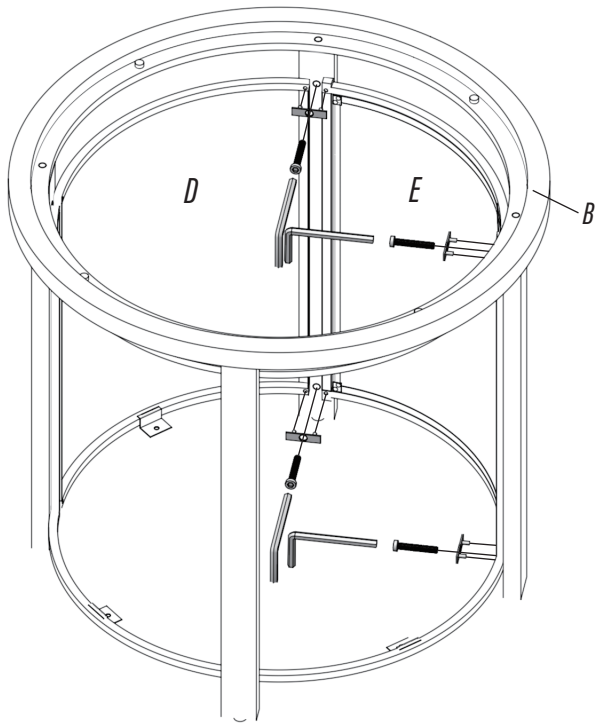
2



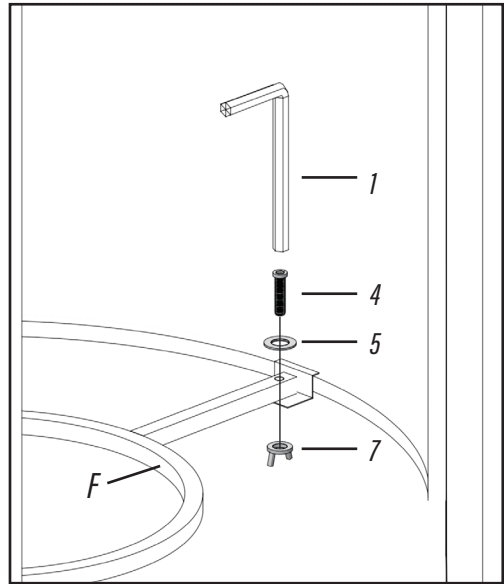
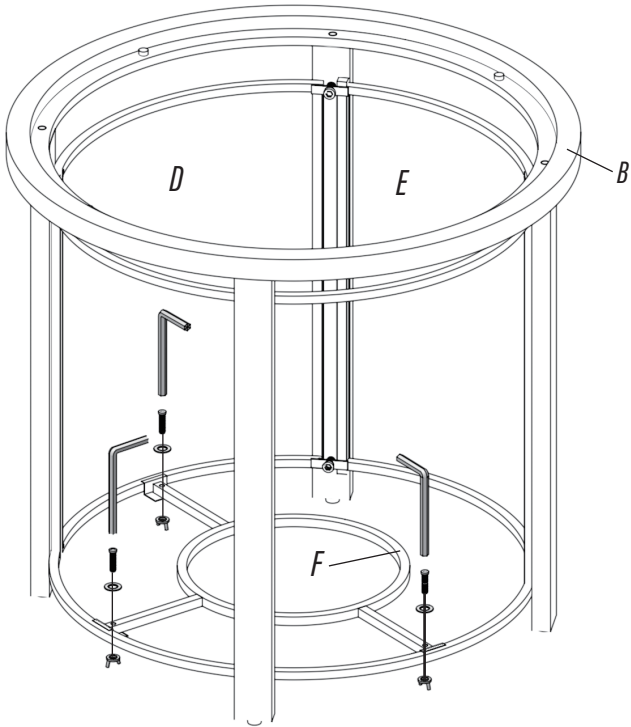
When installing part "D", Please note that the side with this part is facing down.



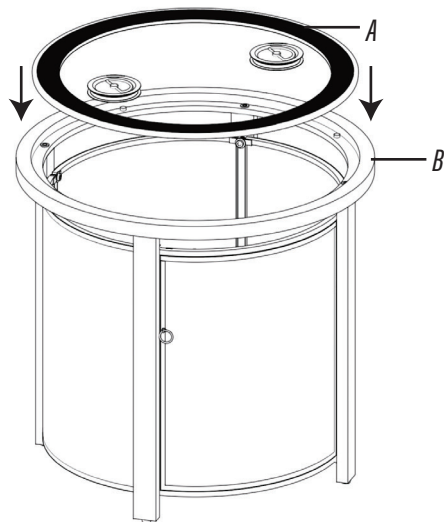
3



4



5



6