


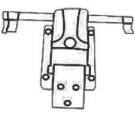
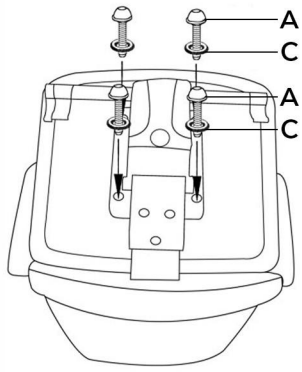
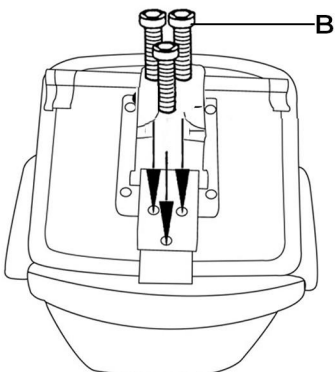
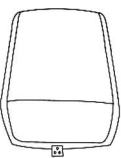





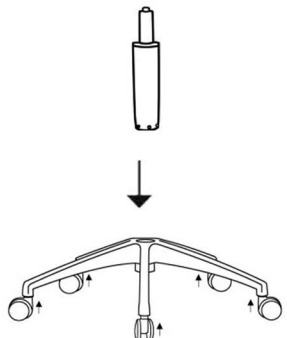
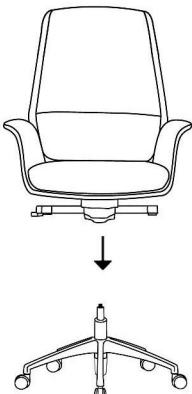




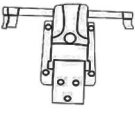
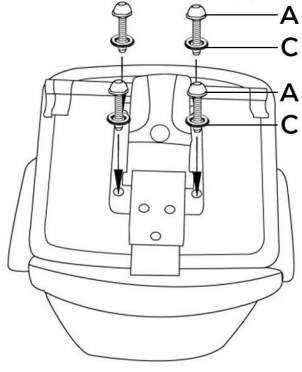
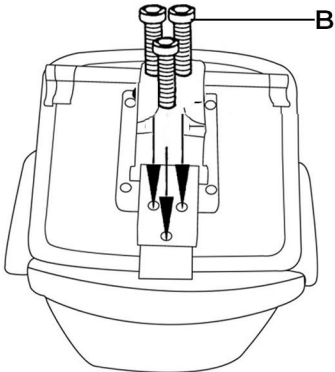
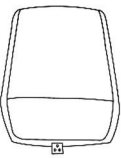







AM 2015B

(1)Base	(2)GasColumn	(3)Mechanism			
 					
(4)Back	(5)Seat				
					
(7)Screws					
<p>A M6*20</p> <p>B M8*16</p> <p>C M6*16</p> <p>D M5</p>	   	<p>4</p> <p>3</p> <p>4</p> <p>1</p>			

AM 2015B

(1)Base	(2)GasColumn	(3)Mechanism			
 					
(4)Back	(5)Seat				
					
(7)Screws					
<p>A M6*20</p> <p>B M8*16</p> <p>C M6*16</p> <p>D M5</p>	   	<p>4</p> <p>3</p> <p>4</p> <p>1</p>	